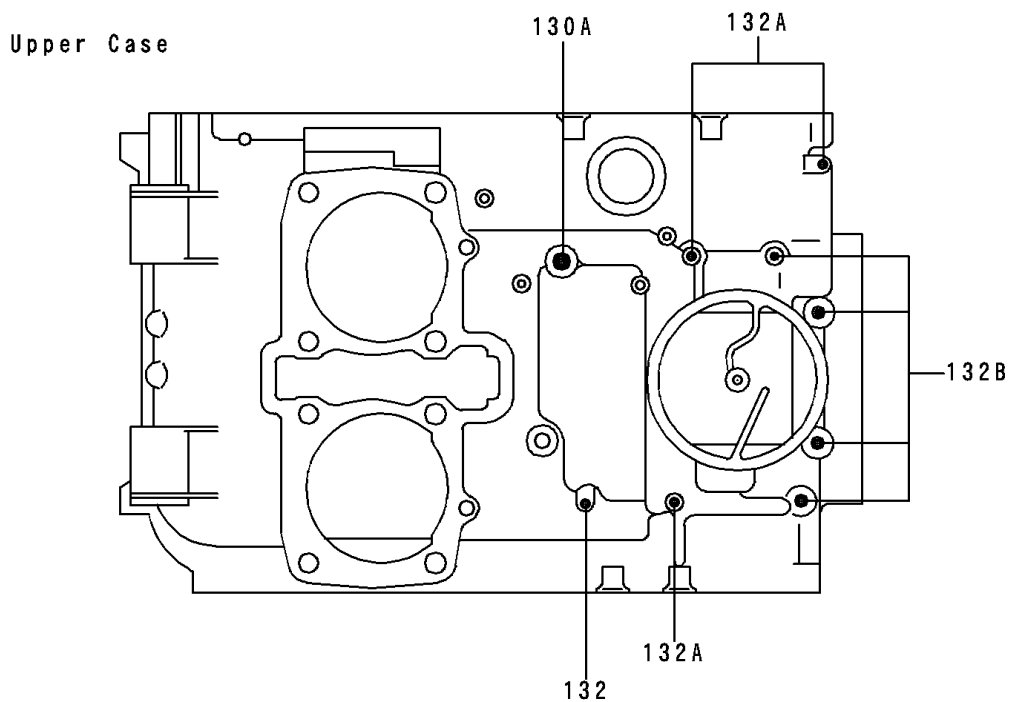


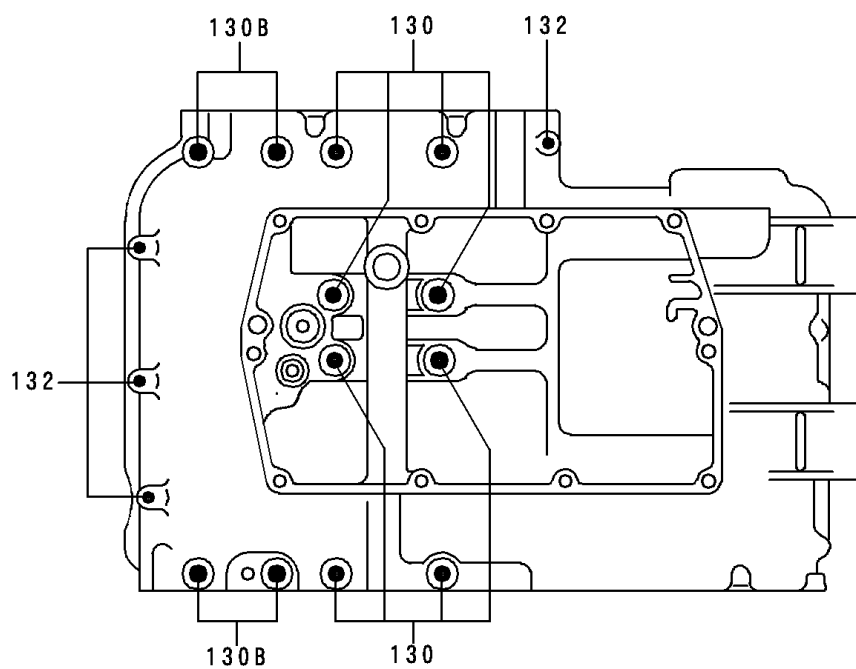
1990 Vulcan® 500 PARTS DIAGRAM

Crankcase Bolt Pattern

E1412



Lower Case



1990 Vulcan® 500 PARTS LIST

Crankcase Bolt Pattern

| ITEM NAME | PART NUMBER | QUANTITY |
|---------------------------------|-------------|----------|
| BOLT-FLANGED (Ref # 130) | 130Z08100 | 1 |
| BOLT-FLANGED (Ref # 130A) | 130Z0855 | 1 |
| BOLT-FLANGED (Ref # 130B) | 130Z0875 | 1 |
| BOLT-FLANGED-SMALL (Ref # 132) | 132Y0640 | 1 |
| BOLT-FLANGED-SMALL (Ref # 132A) | 132Y0660 | 1 |
| BOLT-FLANGED-SMALL (Ref # 132B) | 132Y0680 | 1 |