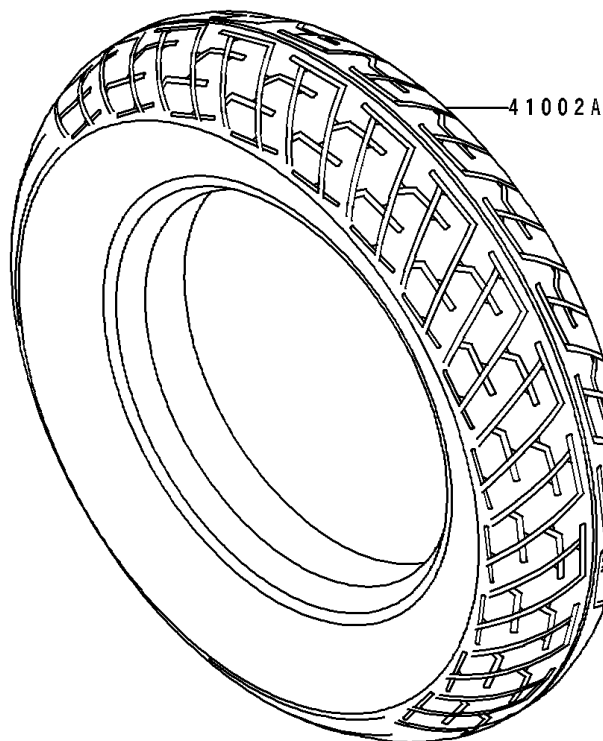
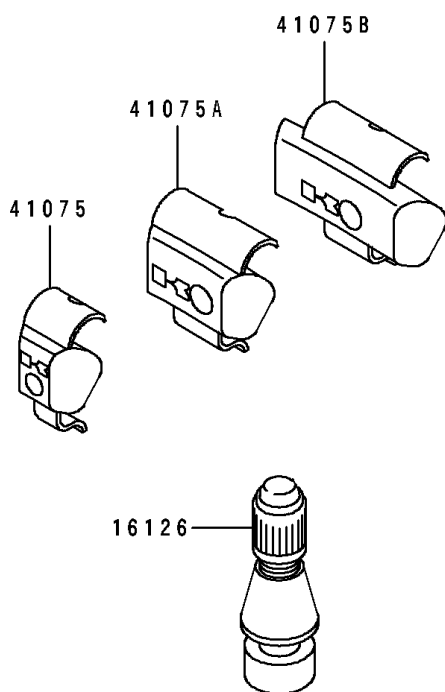
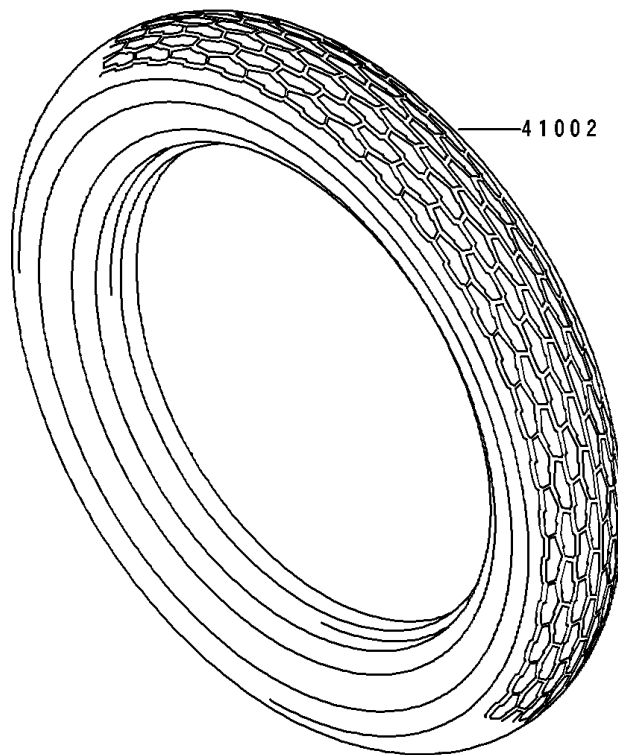
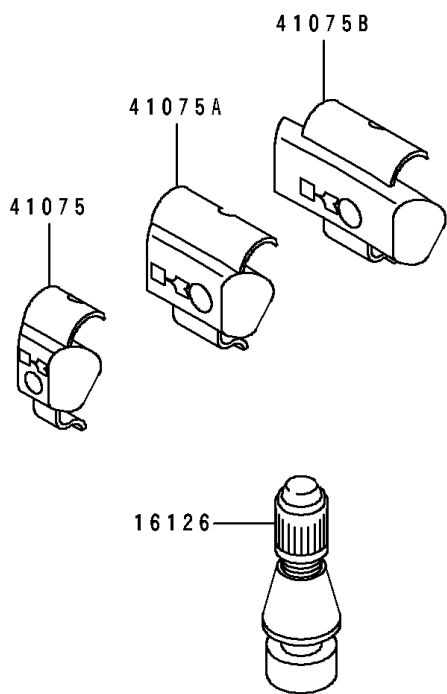


1991 250 HS PARTS DIAGRAM

Tires

F2210



1991 250 HS PARTS LIST

Tires

ITEM NAME	PART NUMBER	QUANTITY
VALVE,TIRE (Ref # 16126)	16126-1140	1
TIRE,FR,100/90-17 55S,F17(D) (Ref # 41002)	41002-1656	1
TIRE,RR,140/90-15M/C 70S(D) (Ref # 41002A)	41002-1782	1
BALANCER-WHEEL,10G,SILVER (Ref # 41075)	41075-1014	1
BALANCER-WHEEL,20G,SILVER (Ref # 41075A)	41075-1015	1
BALANCER-WHEEL,30G,SILVER (Ref # 41075B)	41075-1016	1