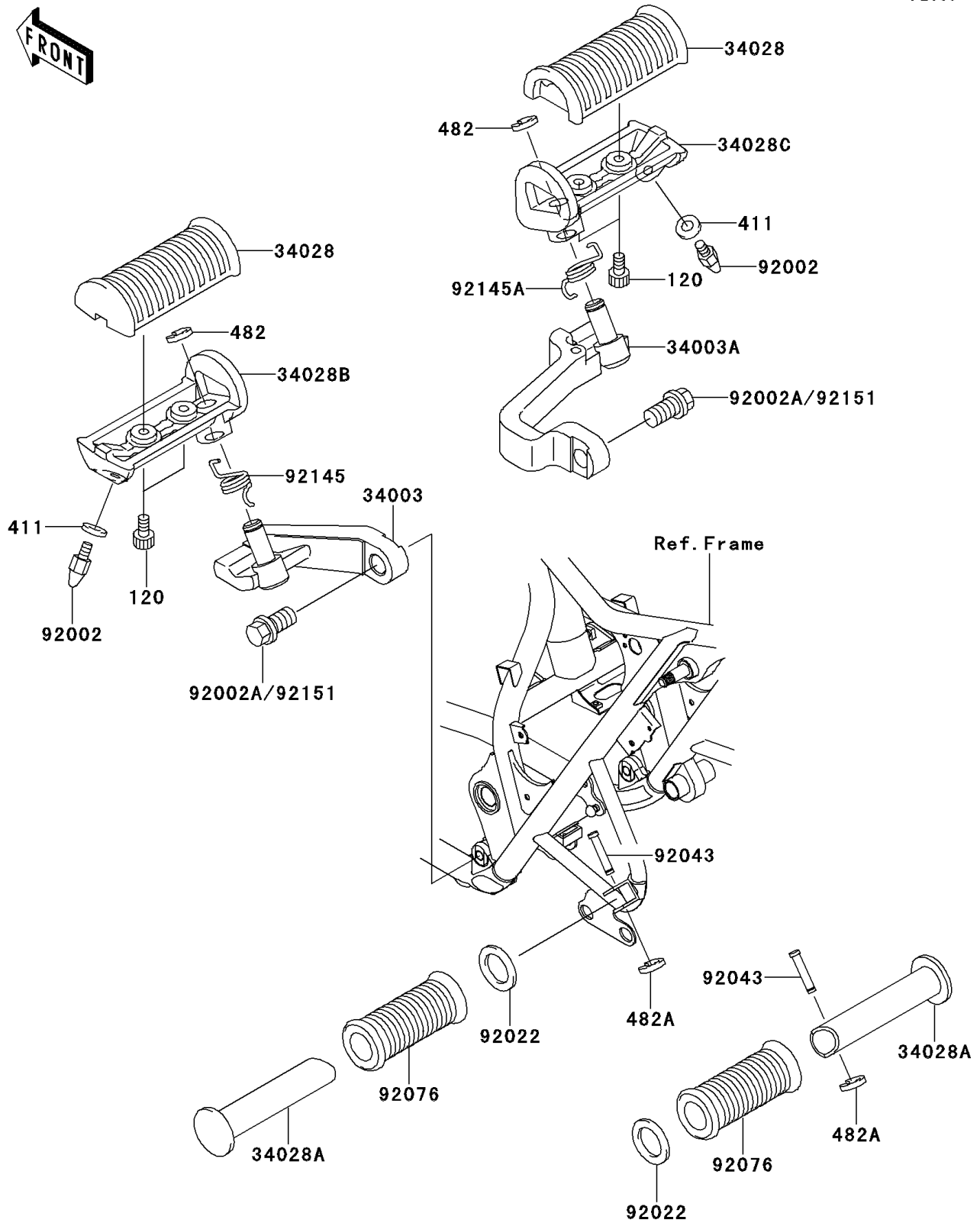


## 2000 W650 PARTS DIAGRAM

Footrests

F2160



## 2000 W650 PARTS LIST

Footrests

ITEM NAME	PART NUMBER	QUANTITY
BOLT-SOCKET (Ref # 120)	120S0512	1
WASHER-PLAIN,6MM,BLACK (Ref # 411)	411F0600	1
CIRCLIP-TYPE-E,10MM (Ref # 482)	482L0100	1
CIRCLIP-TYPE-E,5MM (Ref # 482A)	482L5000	1
HOLDER-STEP,FR,LH (Ref # 34003)	34003-1491	1
HOLDER-STEP,FR,RH (Ref # 34003A)	34003-1492	1
STEP,RUBBER (Ref # 34028)	34028-1372	1
STEP,RR (Ref # 34028A)	34028-1373	1
STEP,FR,LH (Ref # 34028B)	34028-1477	1
STEP,FR,RH (Ref # 34028C)	34028-1478	1
BOLT,BANK SENSOR (Ref # 92002)	92002-1742	1
BOLT,FLANGED,12X30 (Ref # 92002A)	92002-1925	1
WASHER,20X30X2.3 (Ref # 92022)	92022-1568	1
PIN,6X30 (Ref # 92043)	92043-1607	1
DAMPER (Ref # 92076)	92076-020	1
SPRING,STEP RETURN,LH (Ref # 92145)	92145-1217	1
SPRING,STEP RETURN,RH (Ref # 92145A)	92145-1218	1