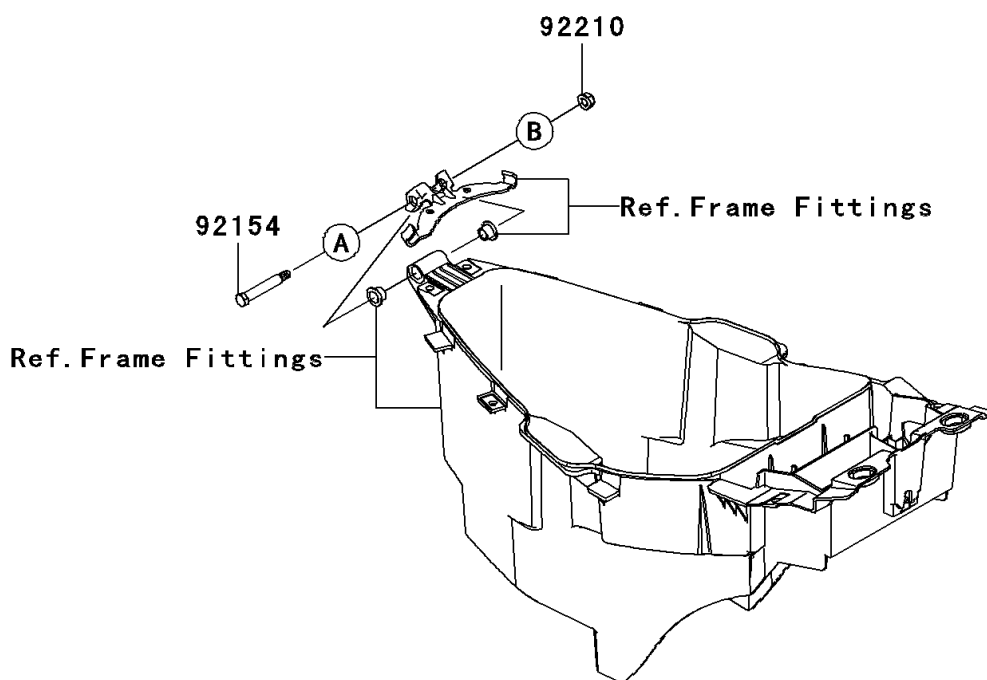
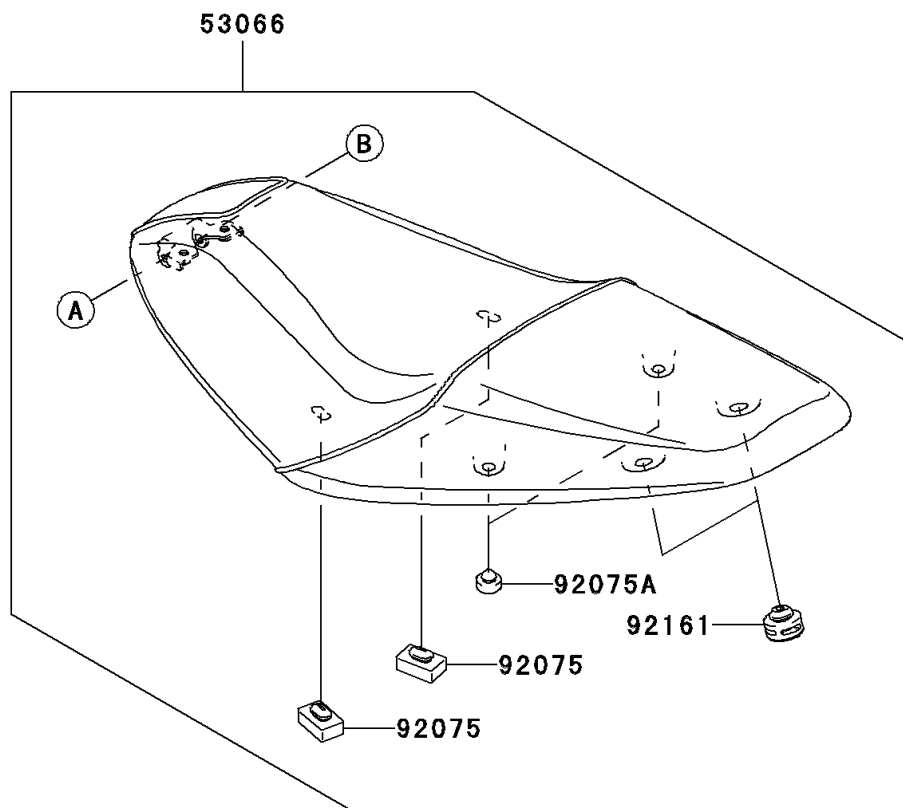


2010 KAZE HIT PARTS DIAGRAM

Seat

F2510



2010 KAZE HIT PARTS LIST

Seat

| ITEM NAME | PART NUMBER | QUANTITY |
|------------------------------------|---------------|----------|
| SEAT-ASSY,DUAL,BLACK (Ref # 53066) | 53066-0275-MA | 1 |
| DAMPER (Ref # 92075) | 92075-099 | 1 |
| DAMPER (Ref # 92075A) | 92075-1927 | 1 |
| BOLT,6MM (Ref # 92154) | 92154-0135 | 1 |
| DAMPER,SEAT (Ref # 92161) | 92161-0636 | 1 |
| NUT,LOCK,FLANGED,6MM (Ref # 92210) | 92210-0181 | 1 |