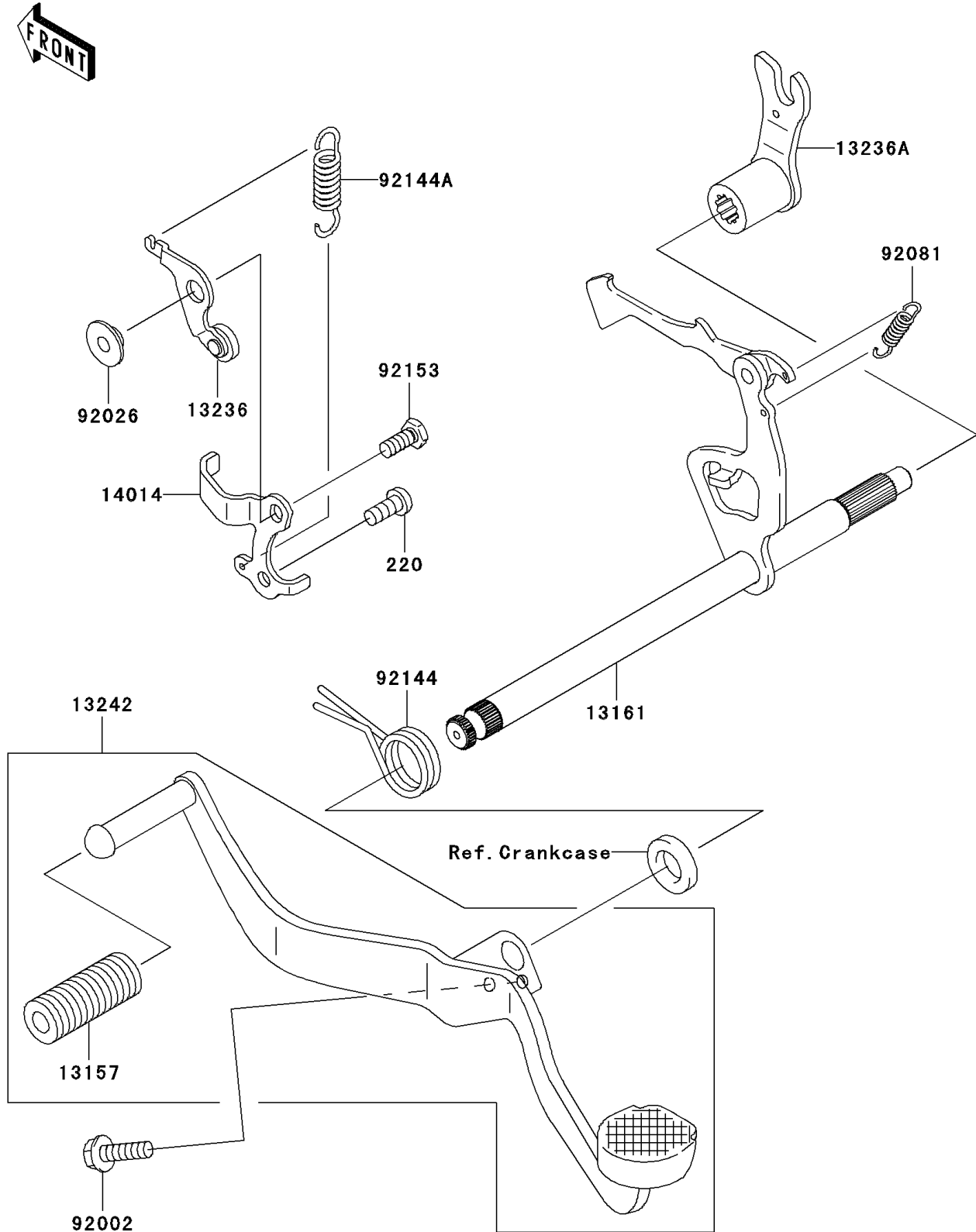


## 2010 KAZE HIT PARTS DIAGRAM

Gear Change Mechanism

E1370



## 2010 KAZE HIT PARTS LIST

Gear Change Mechanism

ITEM NAME	PART NUMBER	QUANTITY
SCREW-PAN-CROSS,6X14 (Ref # 220)	220AA0614	1
DAMPER,CHANGE PEDAL (Ref # 13157)	13157-004	1
LEVER-COMP-CHANGE SHAFT (Ref # 13161)	13161-0003	1
LEVER-COMP,POSITION (Ref # 13236)	13236-1256	1
LEVER-COMP (Ref # 13236A)	13236-1288	1
LEVER-ASSY-CHANGE,PEDAL (Ref # 13242)	13242-0047	1
PLATE-POSITION (Ref # 14014)	14014-1118	1
BOLT,6X20 (Ref # 92002)	92002-1237	1
SPACER (Ref # 92026)	92026-1217	1
SPRING,CHANGE LEVER (Ref # 92081)	92081-076	1
SPRING,CHANGE SHAFT RETURN (Ref # 92144)	92144-1107	1
SPRING (Ref # 92144A)	92144-1590	1
BOLT,6X14 (Ref # 92153)	92153-0571	1