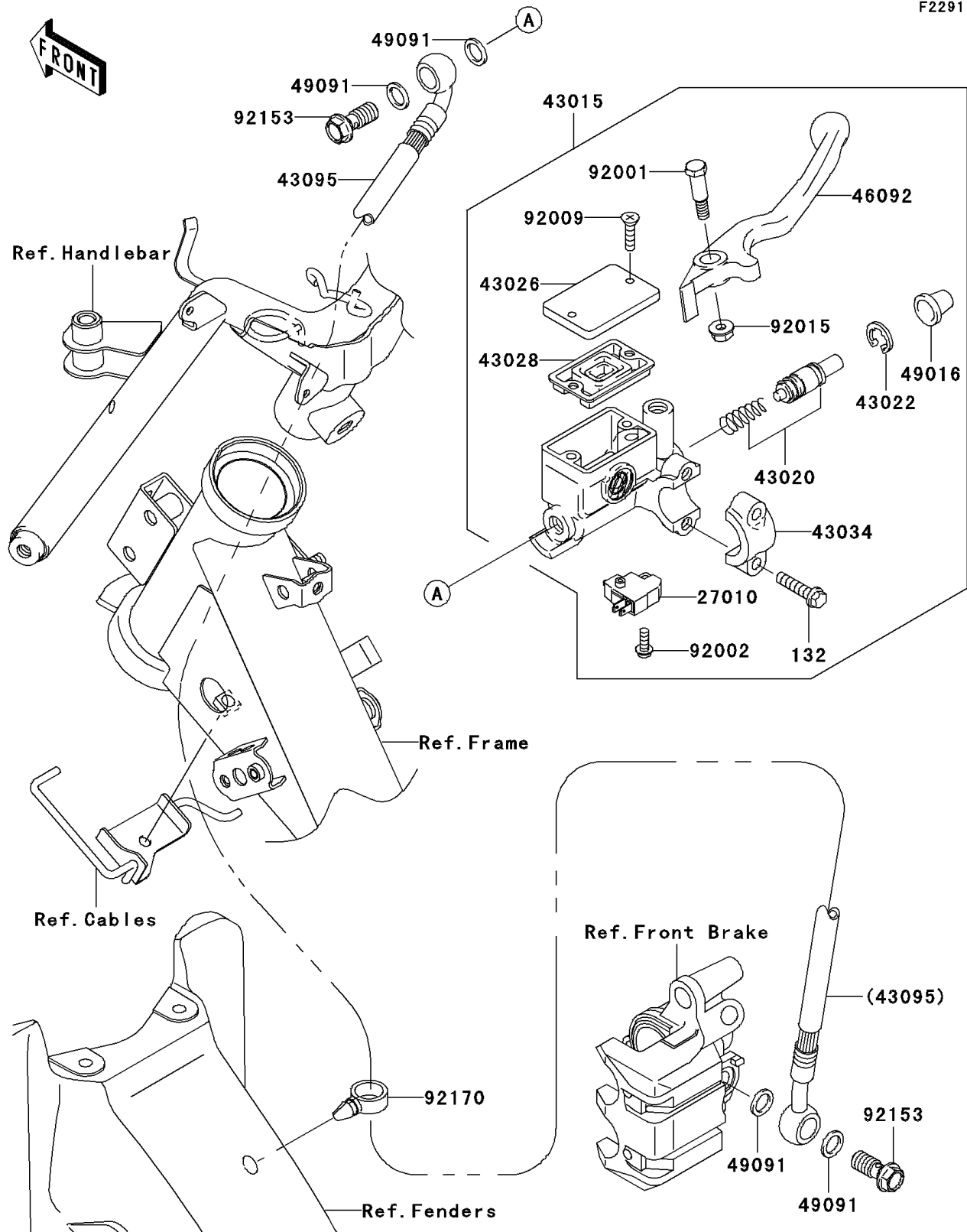


## 2008 KAZE HIT PARTS DIAGRAM

Front Master Cylinder

F2291



## 2008 KAZE HIT PARTS LIST

Front Master Cylinder

ITEM NAME	PART NUMBER	QUANTITY
BOLT-FLANGED-SMALL,6X25 (Ref # 132)	132BB0625	1
SWITCH,BRAKE (Ref # 27010)	27010-0025	1
CYLINDER-ASSY-MASTER,FR (Ref # 43015)	43015-1690	1
PISTON-COMP-BRAKE (Ref # 43020)	43020-1095	1
STOPPER-BRAKE,PISTON (Ref # 43022)	43022-1010	1
CAP-BRAKE (Ref # 43026)	43026-1074	1
DIAPHRAGM (Ref # 43028)	43028-1061	1
HOLDER-BRAKE,MASTER CYLINDER (Ref # 43034)	43034-1016	1
HOSE-BRAKE,FR (Ref # 43095)	43095-0020	1
LEVER-GRIP,FRONT BRAKE (Ref # 46092)	46092-1119	1
COVER-SEAL,MASTER CYLINDER (Ref # 49016)	49016-1044	1
WASHER-SEAL,10.1X14.5X1.5 (Ref # 49091)	49091-0001	1
BOLT,FRONT BRAKE LEVER (Ref # 92001)	92001-1728	1
BOLT,SCREW,4X12 (Ref # 92002)	92002-1323	1
SCREW,4MM (Ref # 92009)	92009-1458	1
NUT,FLANGED,6MM,BLACK (Ref # 92015)	92015-1233	1
BOLT,OIL,L=23 (Ref # 92153)	92153-0029	1
CLAMP (Ref # 92170)	92170-1067	1