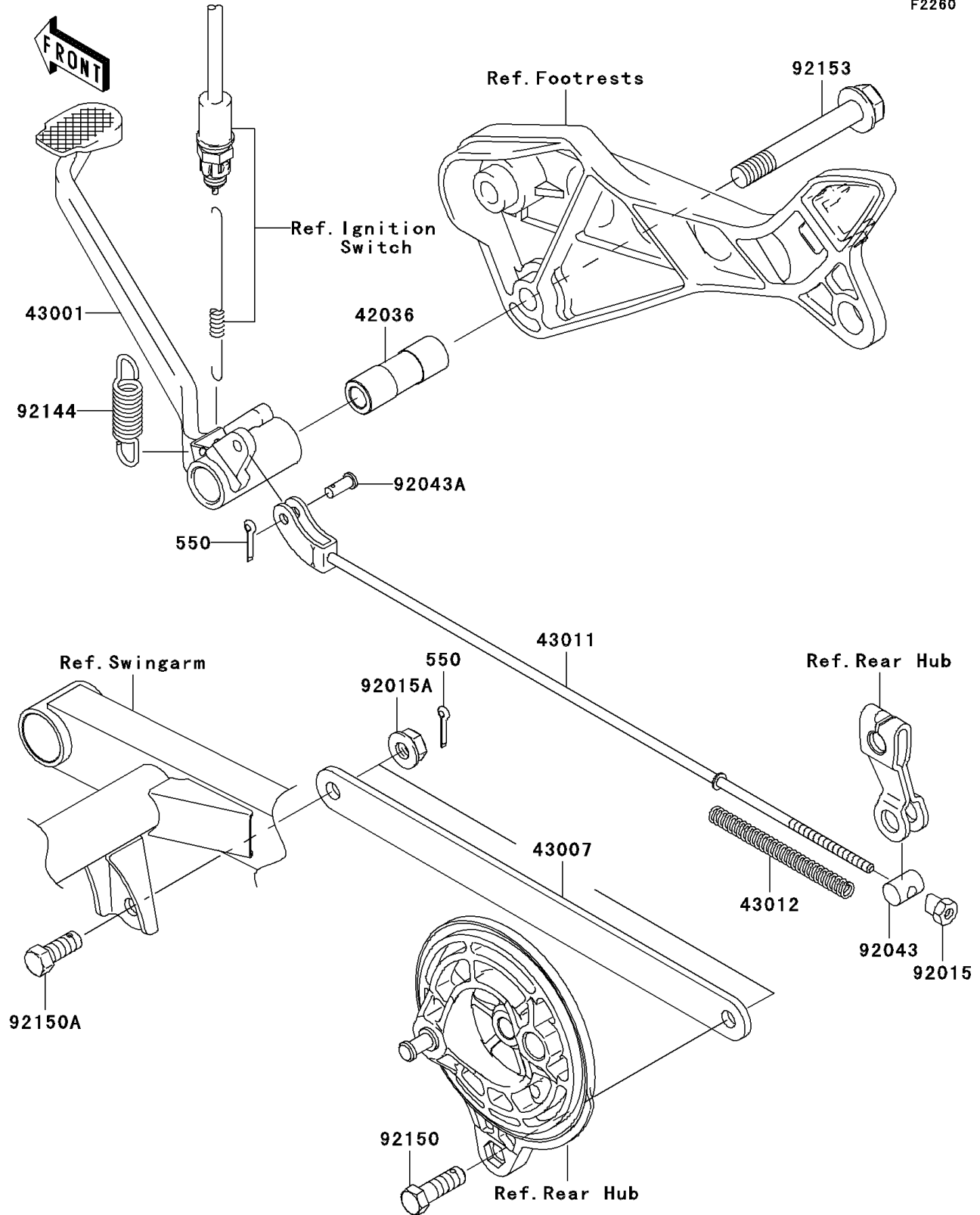


2008 KAZE HIT PARTS DIAGRAM

Brake Pedal

F2260



2008 KAZE HIT PARTS LIST

Brake Pedal

ITEM NAME	PART NUMBER	QUANTITY
PIN-COTTER,2.0X18 (Ref # 550)	550AA2018	1
SLEEVE (Ref # 42036)	42036-1332	1
LEVER-BRAKE,PEDAL (Ref # 43001)	43001-1443	1
ROD-TORQUE (Ref # 43007)	43007-1202	1
ROD-BRAKE (Ref # 43011)	43011-1177	1
SPRING,BRAKE ROD (Ref # 43012)	43012-001	1
NUT,BRAKE ROD (Ref # 92015)	92015-042	1
NUT,FLANGED,10MM (Ref # 92015A)	92015-1428	1
PIN,BRAKE ROD (Ref # 92043)	92043-0065	1
PIN,6X12.8 (Ref # 92043A)	92043-1542	1
SPRING,BRAKE PEDAL RETURN (Ref # 92144)	92144-1910	1
BOLT,10X32 (Ref # 92150)	92150-1872	1
BOLT,10X25 (Ref # 92150A)	92150-1873	1
BOLT,FLANGED,12X88 (Ref # 92153)	92153-0820	1