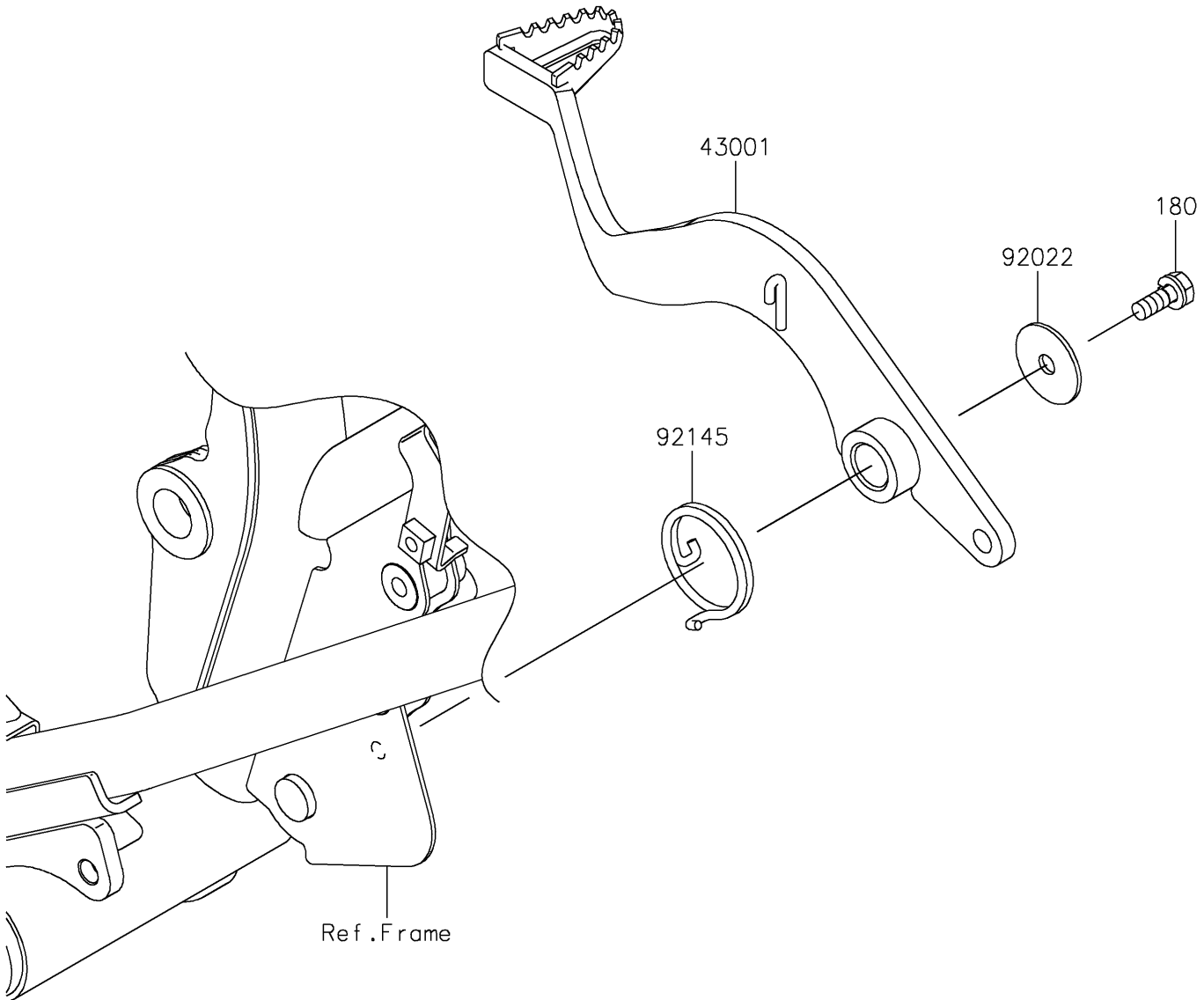


# 2024 KLR650 S ABS

## PARTS DIAGRAM

### Brake Pedal

F2260



# 2024 KLR650 S ABS

## PARTS LIST

### Brake Pedal

**ITEM NAME**

**PART NUMBER**

**QUANTITY**

---