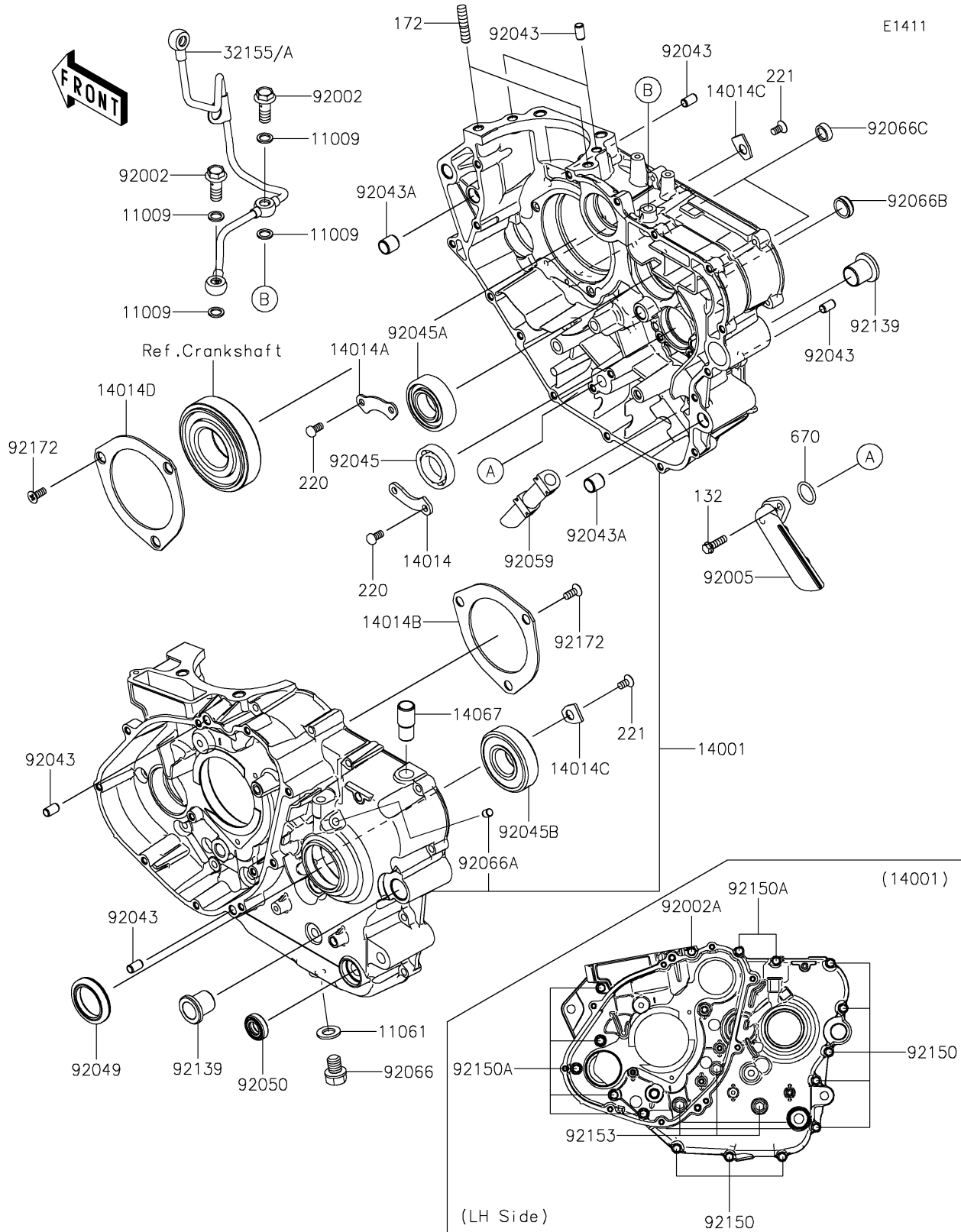


# 2024 KLR650 S ABS

## PARTS DIAGRAM

### Crankcase



# 2024 KLR650 S ABS

## PARTS LIST

### Crankcase



ITEM NAME	PART NUMBER	QUANTITY
-----------	-------------	----------

---