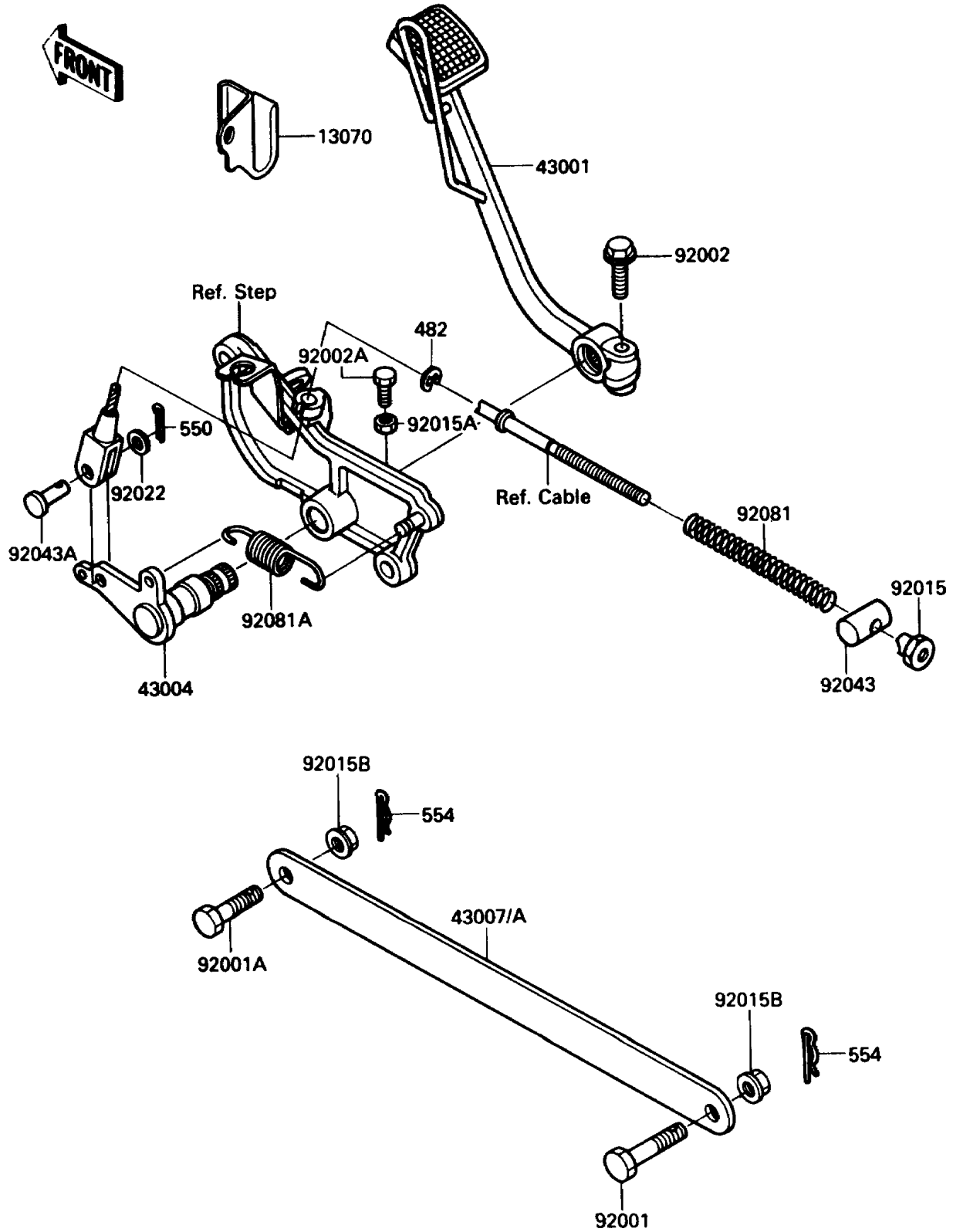


# 1986 Vulcan 750

## PARTS DIAGRAM

### Brake Pedal/Torque Link

F2260-0151



# 1986 Vulcan 750

## PARTS LIST

### Brake Pedal/Torque Link

**ITEM NAME**

**PART NUMBER**

**QUANTITY**

---