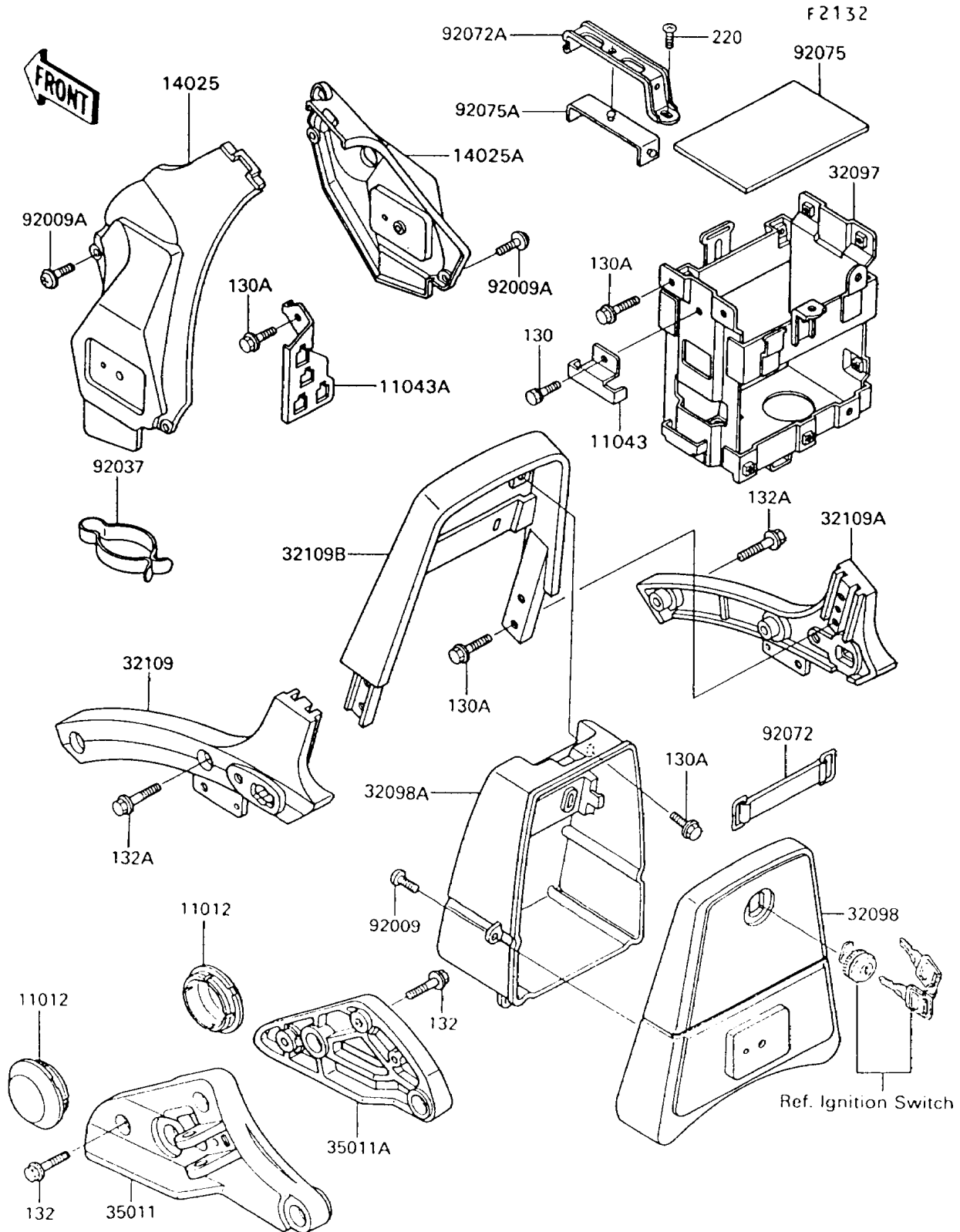


1994 Vulcan 750

PARTS DIAGRAM

Battery Case



1994 Vulcan 750

PARTS LIST

Battery Case

ITEM NAME

PART NUMBER

QUANTITY
