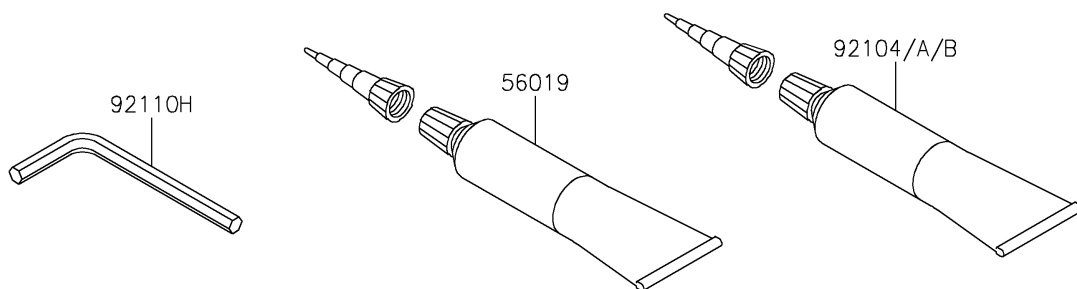
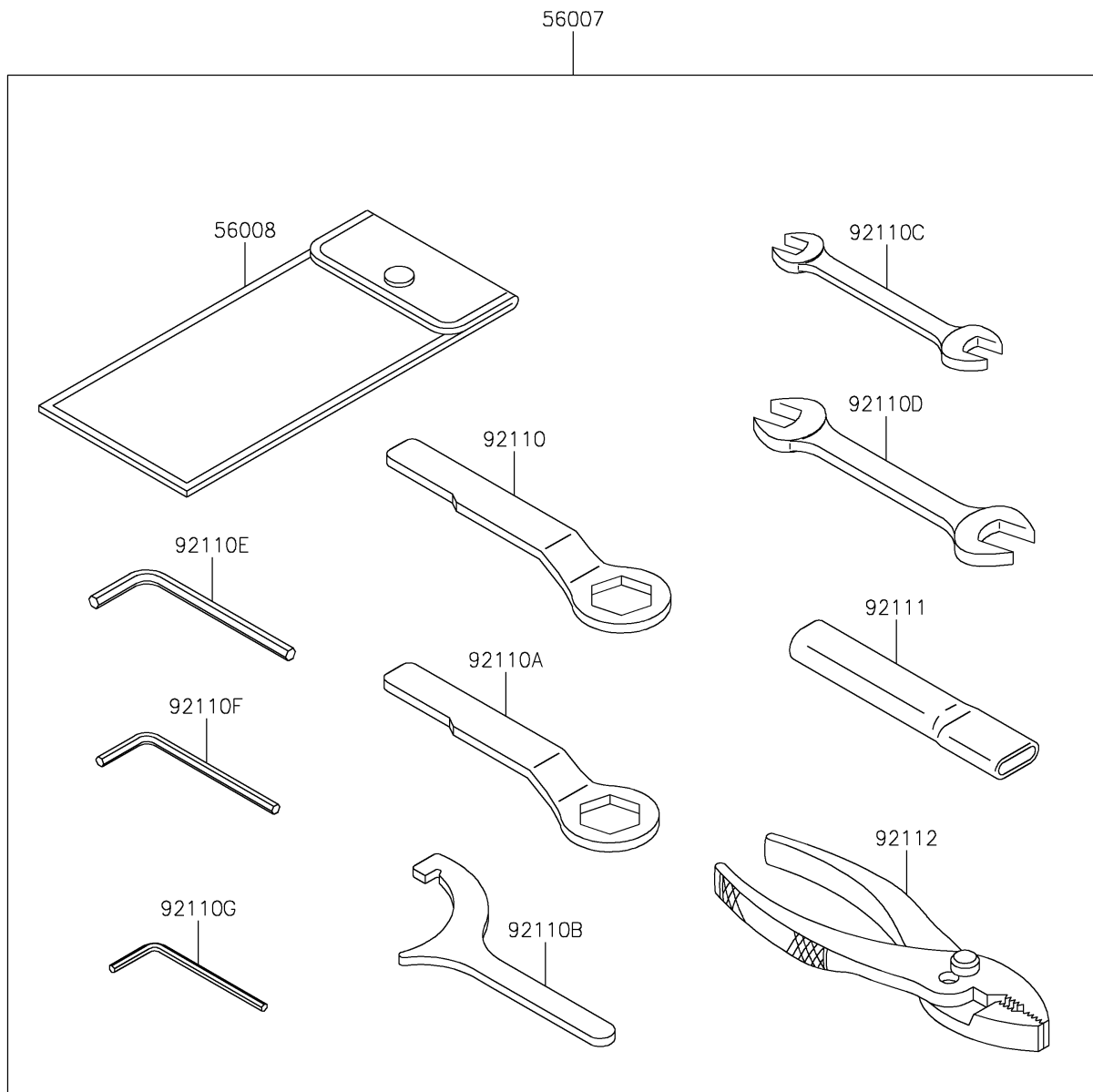


2020 VULCAN® S ABS CAFE

PARTS DIAGRAM

Owner's Tools

F2810



2020 VULCAN[®] S ABS CAFE

PARTS LIST

Owner's Tools

ITEM NAME

PART NUMBER

QUANTITY
