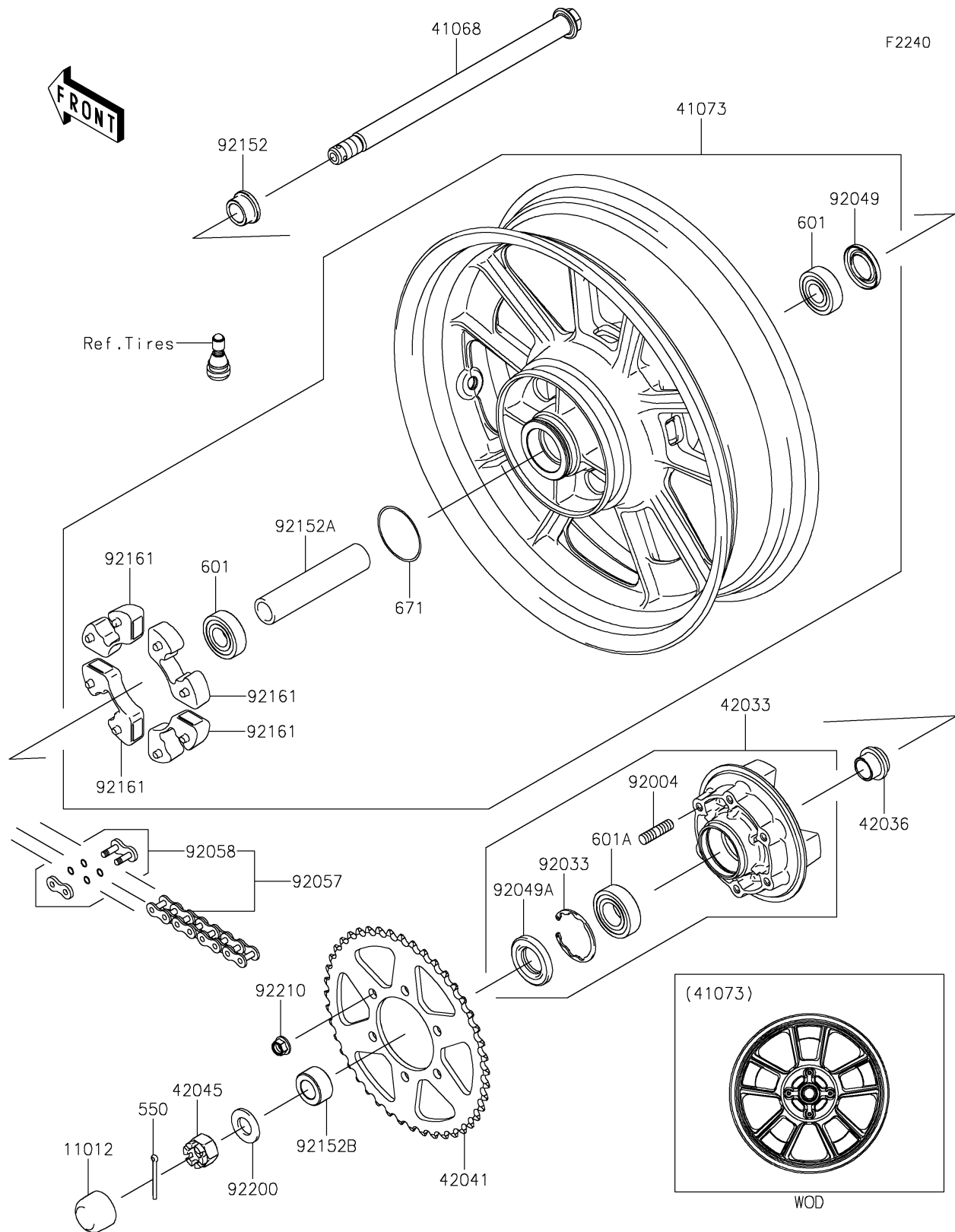


# 2020 VULCAN® S ABS CAFE

## PARTS DIAGRAM

### Rear Wheel/Chain



# 2020 VULCAN<sup>®</sup> S ABS CAFE

## PARTS LIST

Rear Wheel/Chain

**ITEM NAME**

**PART NUMBER**

**QUANTITY**

---