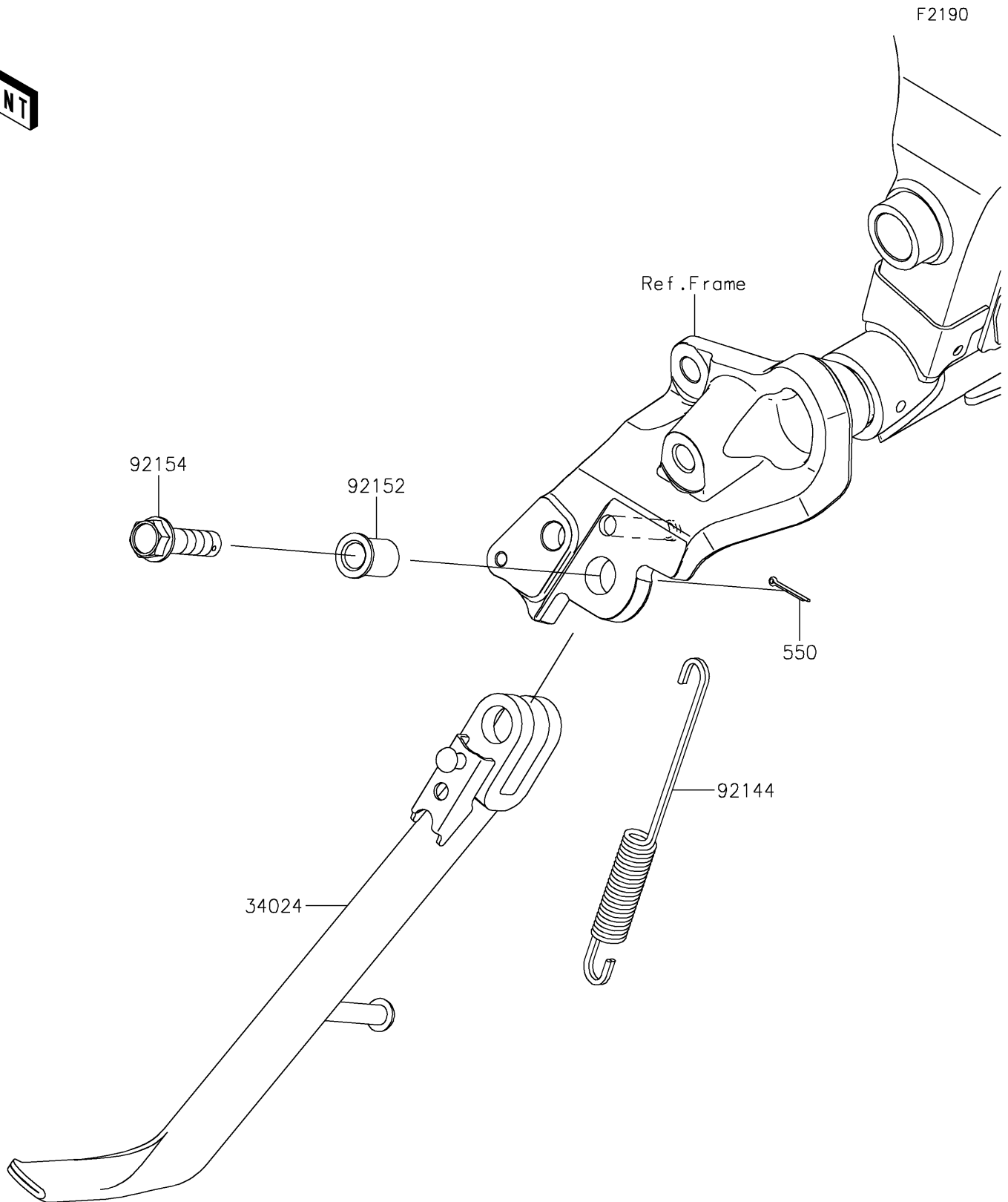


2020 VULCAN® S ABS CAFE

PARTS DIAGRAM

Stand(s)



2020 VULCAN[®] S ABS CAFE

PARTS LIST

Stand(s)

ITEM NAME

PART NUMBER

QUANTITY
