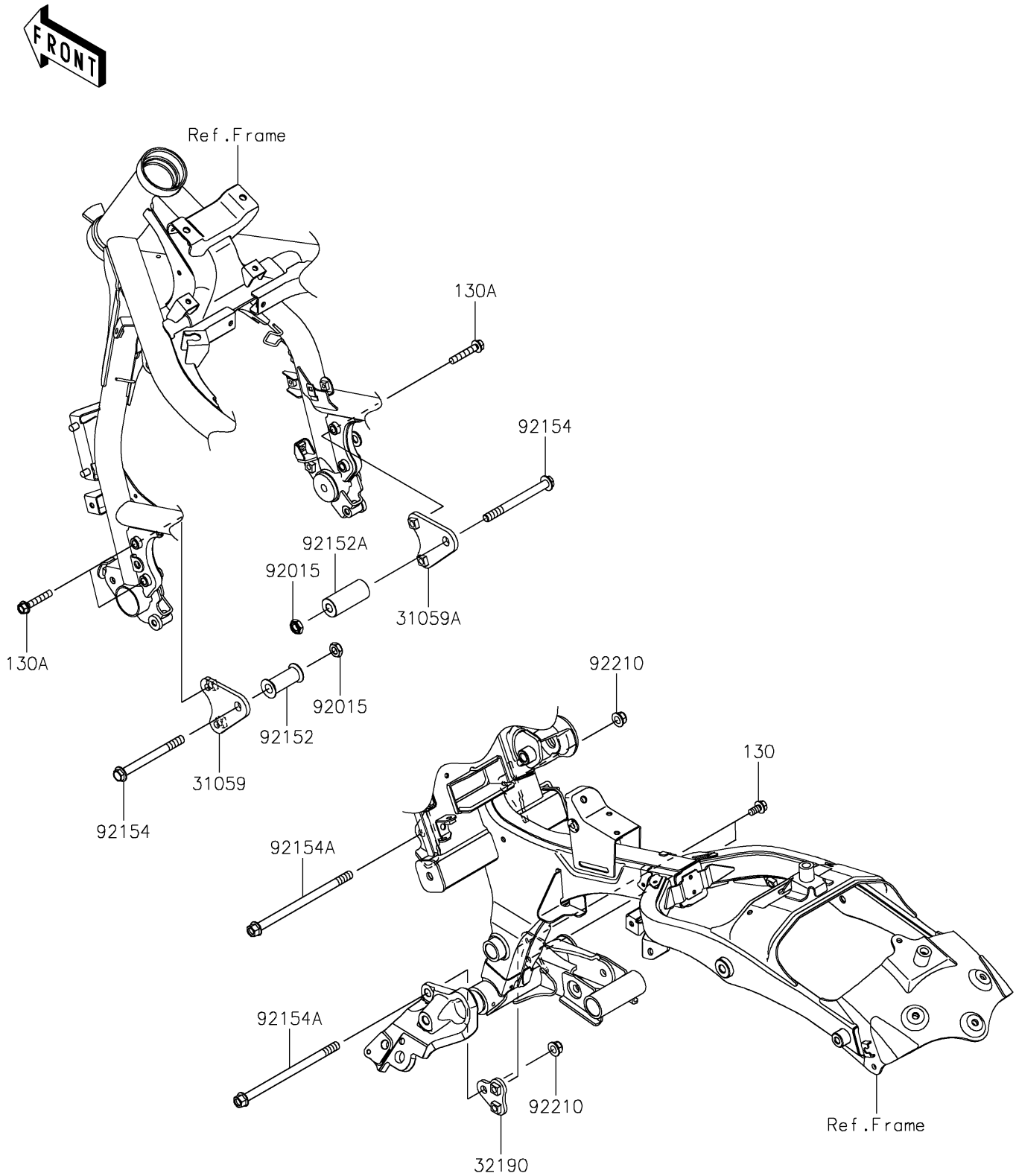


2020 VULCAN® S ABS CAFE

PARTS DIAGRAM

Engine Mount

F2122



2020 VULCAN® S ABS CAFE

PARTS LIST Engine Mount

ITEM NAME	PART NUMBER	QUANTITY
-----------	-------------	----------
