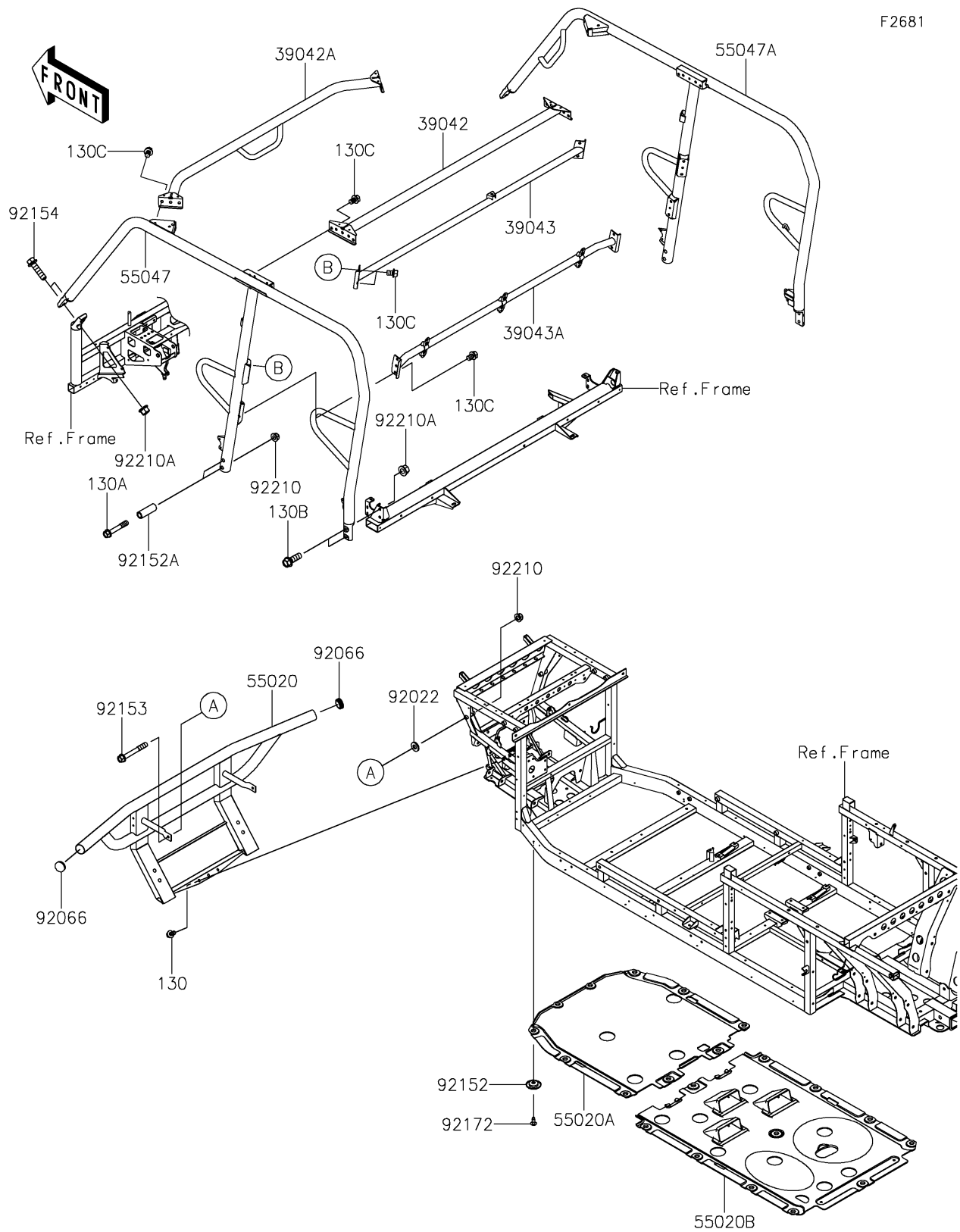


# 2019 MULE PRO-FXT™ EPS

## PARTS DIAGRAM

### Guards/Cab Frame

F2681



# 2019 MULE PRO-FXT™ EPS

## PARTS LIST

Guards/Cab Frame

**ITEM NAME**

**PART NUMBER**

**QUANTITY**

---