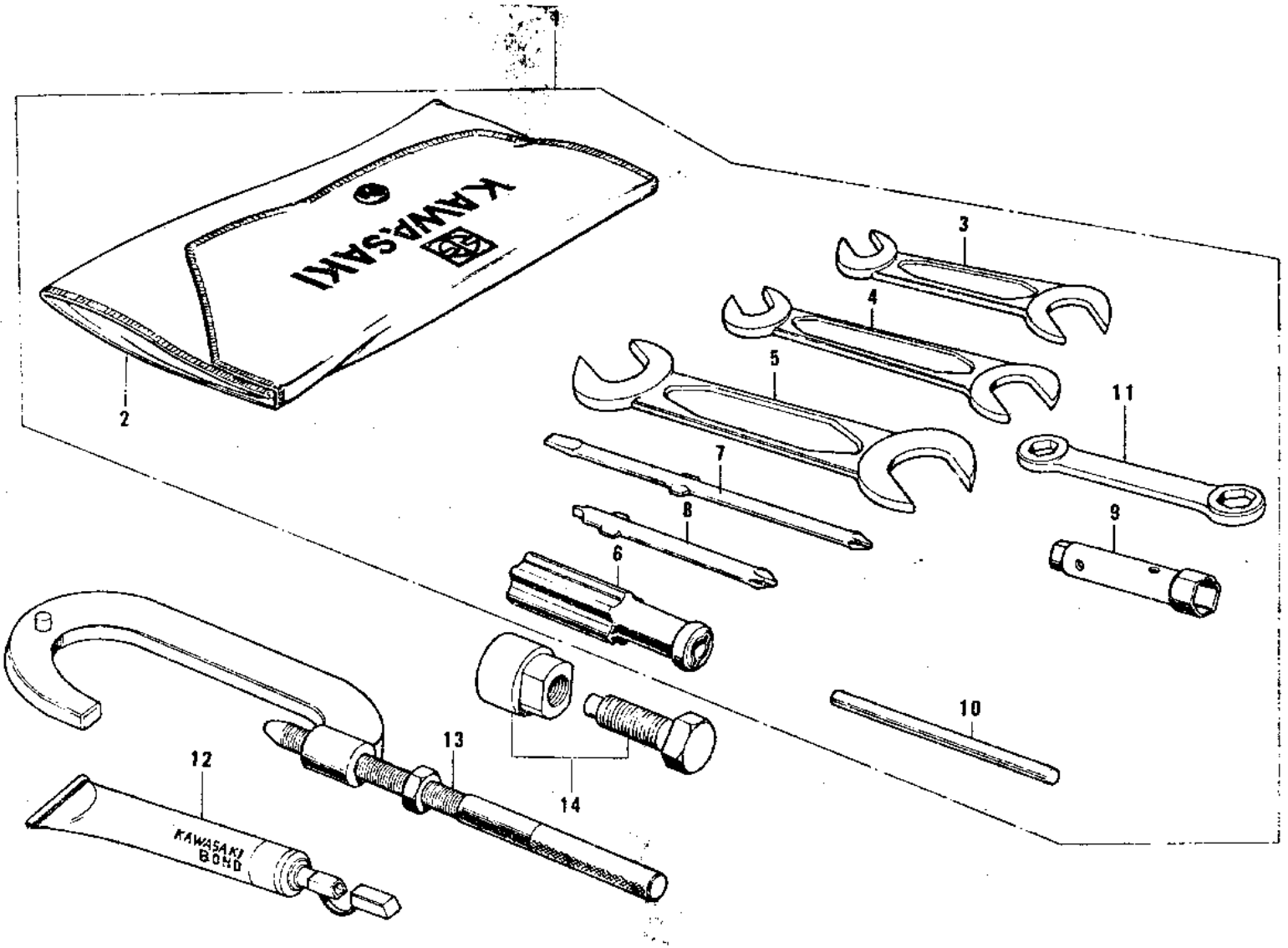


1969 Bushmaster

PARTS DIAGRAM

OWNER TOOLS/SPECIAL SERVICE TOOLS ('74-')



1969 Bushmaster

PARTS LIST

OWNER TOOLS/SPECIAL SERVICE TOOLS ('74-'

ITEM NAME	PART NUMBER	QUANTITY
-----------	-------------	----------
