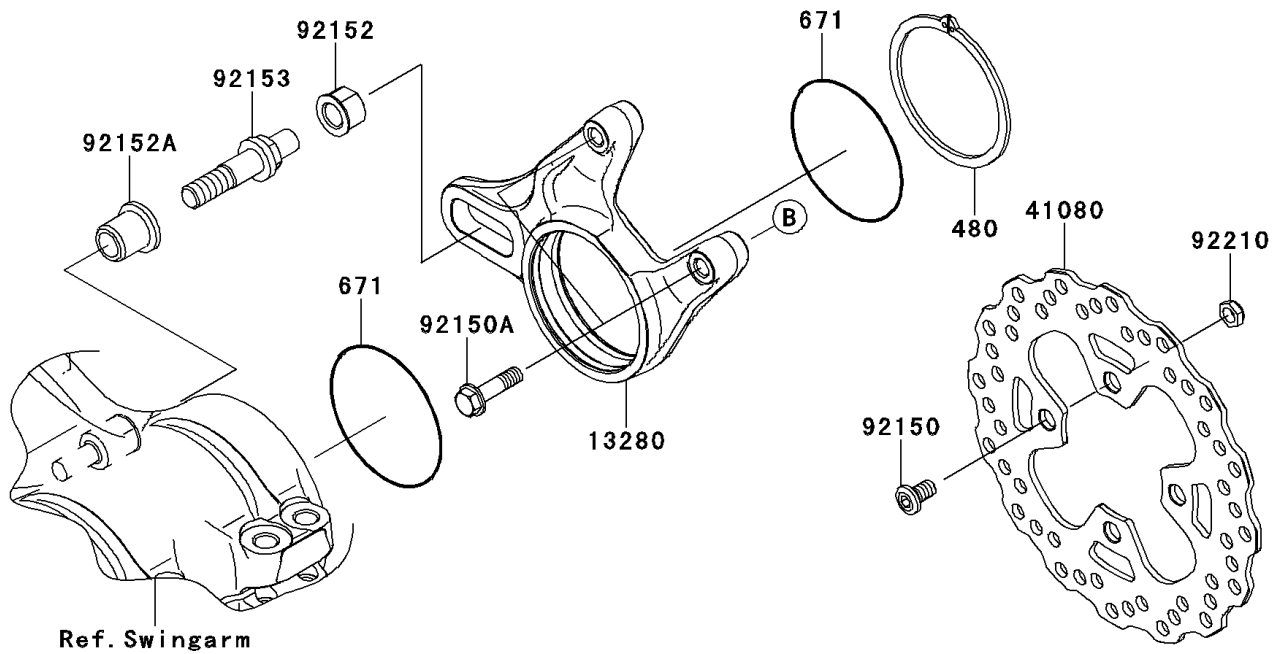
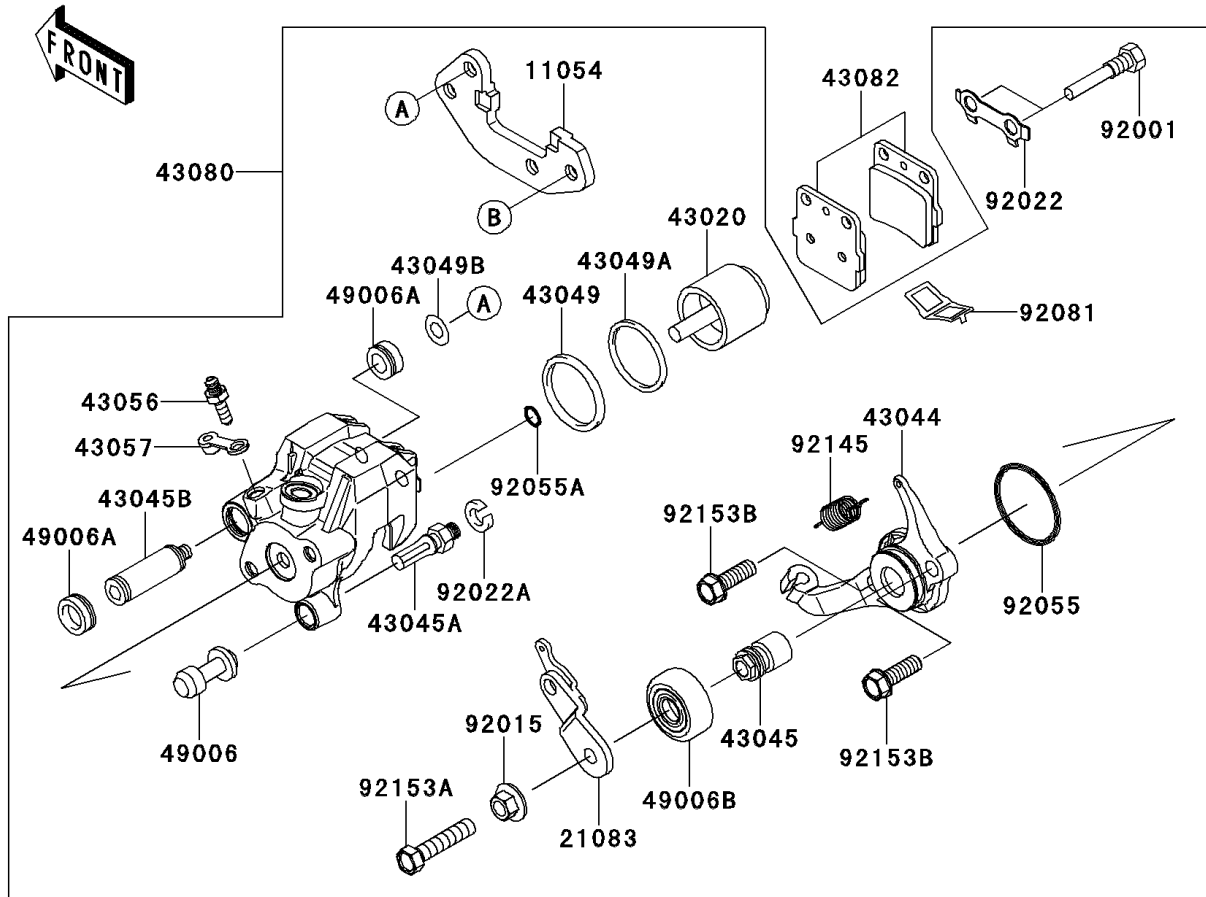


# 2009 KFX® 450R PARTS DIAGRAM

Rear Brake

F2294



## 2009 KFX® 450R PARTS LIST

### Rear Brake

ITEM NAME	PART NUMBER	QUANTITY
CIRCLIP-TYPE-C,75MM (Ref # 480)	480J7500	1
O RING (Ref # 671)	671B2575	2
BRACKET,REAR CALIPER (Ref # 11054)	11054-1865	1
HOLDER,REAR CALIPER (Ref # 13280)	13280-0177	1
ARM (Ref # 21083)	21083-0038	1
DISC,RR (Ref # 41080)	41080-0097	1
PISTON-COMP-BRAKE (Ref # 43020)	43020-1102	1
HOLDER-COMP-CALIPER,RR (Ref # 43044)	43044-0023	1
SHAFT-CALIPER (Ref # 43045)	43045-0001	1
SHAFT-CALIPER (Ref # 43045A)	43045-1010	1
SHAFT-CALIPER (Ref # 43045B)	43045-1051	1
PACKING,PISTON SEAL (Ref # 43049)	43049-1023	1
PACKING,PISTON SEAL (Ref # 43049A)	43049-1024	1
PACKING (Ref # 43049B)	43049-1025	1
BREATHER (Ref # 43056)	43056-1055	1
CAP-BREATHER (Ref # 43057)	43057-1001	1
CALIPER-SUB-ASSY,RR (Ref # 43080)	43080-0058	1
PAD-ASSY-BRAKE (Ref # 43082)	43082-1066	1
BOOT,CALIPER (Ref # 49006)	49006-1088	1
BOOT,CALIPER (Ref # 49006A)	49006-1089	2
BOOT,CALIPER (Ref # 49006B)	49006-1193	1
BOLT,PAD HOLDER (Ref # 92001)	92001-1723	2
NUT (Ref # 92015)	92015-1600	1
WASHER,LOCK (Ref # 92022)	92022-1372	1
WASHER,WAVE (Ref # 92022A)	92022-1373	1
RING-O (Ref # 92055)	92055-0135	1
RING-O (Ref # 92055A)	92055-1351	1
SPRING,PAD (Ref # 92081)	92081-1502	1
SPRING (Ref # 92145)	92145-0514	1

## 2009 KFX® 450R PARTS LIST

### Rear Brake

ITEM NAME	PART NUMBER	QUANTITY
BOLT,DISC PLATE,8X15 (Ref # 92150)	92150-1811	4
BOLT (Ref # 92150A)	92150-1919	2
COLLAR (Ref # 92152)	92152-0406	1
COLLAR (Ref # 92152A)	92152-0407	1
BOLT,12MM (Ref # 92153)	92153-1491	1
BOLT (Ref # 92153A)	92153-1848	1
BOLT (Ref # 92153B)	92153-1849	2
NUT,LOCK,8MM (Ref # 92210)	92210-1243	4