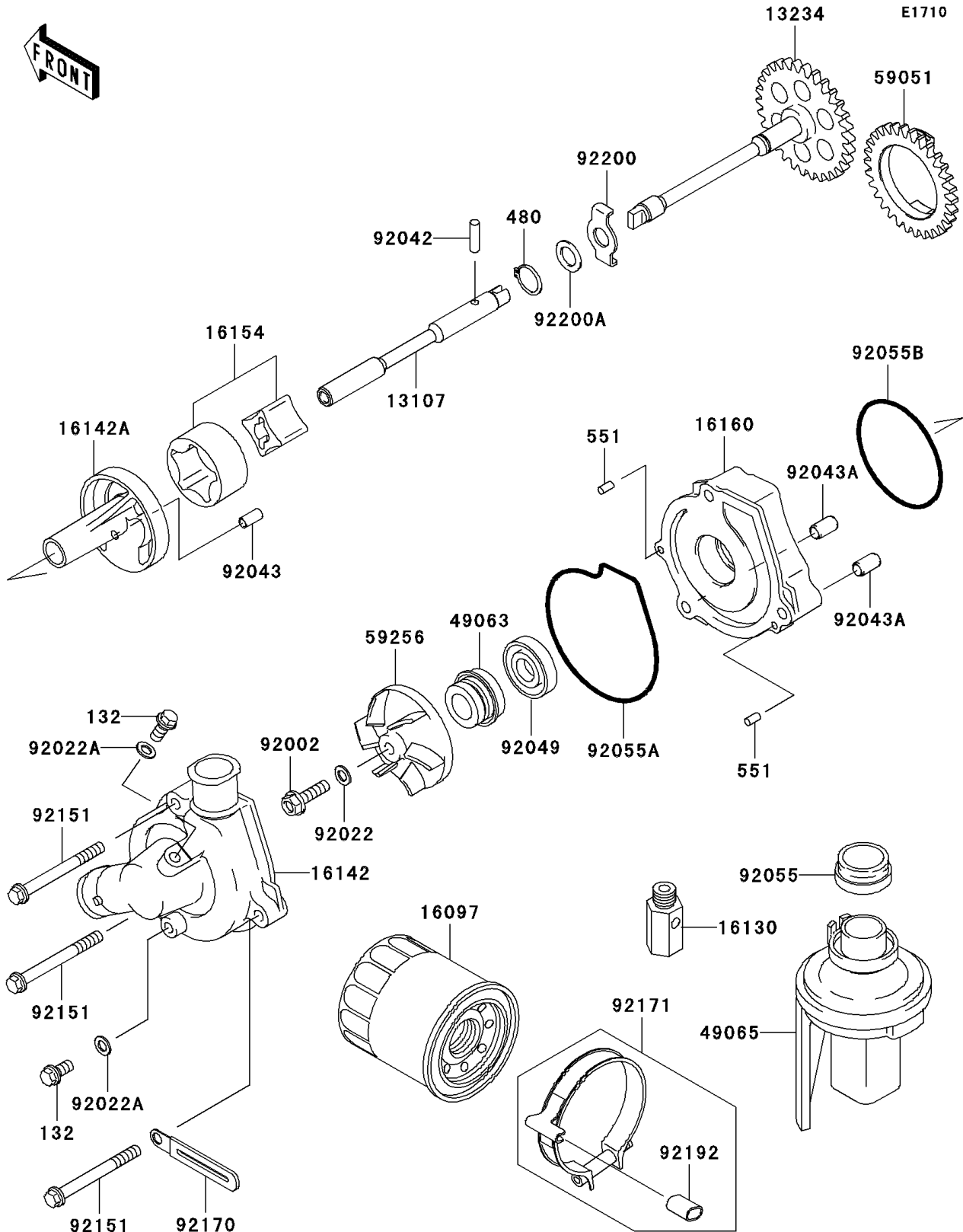


2004 Ninja® ZX™ -6RR PARTS DIAGRAM

Oil Pump/Oil Filter



2004 Ninja® ZX™-6RR PARTS LIST

Oil Pump/Oil Filter

| ITEM NAME | PART NUMBER | QUANTITY |
|--|-------------|----------|
| BOLT-FLANGED-SMALL (Ref # 132) | 132Y0612 | 2 |
| CIRCLIP-TYPE-C,11MM (Ref # 480) | 480J1100 | 1 |
| PIN-DOWEL,4X8 (Ref # 551) | 551A0408 | 2 |
| SHAFT (Ref # 13107) | 13107-1430 | 1 |
| SHAFT-COMP (Ref # 13234) | 13234-0012 | 1 |
| FILTER-ASSY-OIL (Ref # 16097) | 16097-0002 | 1 |
| VALVE-ASSY-RELIEF (Ref # 16130) | 16130-1058 | 1 |
| COVER-PUMP,WATER (Ref # 16142) | 16142-1152 | 1 |
| COVER-PUMP,OIL (Ref # 16142A) | 16142-1161 | 1 |
| ROTOR-PUMP (Ref # 16154) | 16154-1115 | 1 |
| BODY,OIL PUMP (Ref # 16160) | 16160-1325 | 1 |
| SEAL-MECHANICAL,WATER (Ref # 49063) | 49063-1055 | 1 |
| FILTER-OIL (Ref # 49065) | 49065-1073 | 1 |
| GEAR-SPUR,30T (Ref # 59051) | 59051-0022 | 1 |
| IMPELLER (Ref # 59256) | 59256-1073 | 1 |
| BOLT,6X22 (Ref # 92002) | 92002-1154 | 1 |
| WASHER,6.1X12X1 (Ref # 92022) | 92022-077 | 1 |
| WASHER,6.2X11X1 (Ref # 92022A) | 92022-304 | 2 |
| PIN,DOWEL,4X15.8 (Ref # 92042) | 92042-014 | 1 |
| PIN,4.2X6X12 (Ref # 92043) | 92043-1262 | 1 |
| PIN,6.2X8X14 (Ref # 92043A) | 92043-1263 | 2 |
| SEAL-OIL,OIL PUMP (Ref # 92049) | 92049-1336 | 1 |
| RING-O,OIL FILTER (Ref # 92055) | 92055-1503 | 1 |
| RING-O,WATER PUMP COVER (Ref # 92055A) | 92055-1532 | 1 |
| RING-O (Ref # 92055B) | 92055-3018 | 1 |
| BOLT,6X60 (Ref # 92151) | 92151-1307 | 3 |
| CLAMP (Ref # 92170) | 92170-1514 | 1 |
| CLAMP (Ref # 92171) | 92171-0170 | 1 |
| TUBE,CLAMP (Ref # 92192) | 92192-0047 | 1 |

2004 Ninja® ZX™ -6RR PARTS LIST

Oil Pump/Oil Filter

| ITEM NAME | PART NUMBER | QUANTITY |
|----------------------------------|-------------|----------|
| WASHER,11.3X21X1.6 (Ref # 92200) | 92200-0041 | 1 |
| WASHER (Ref # 92200A) | 92200-1009 | 1 |