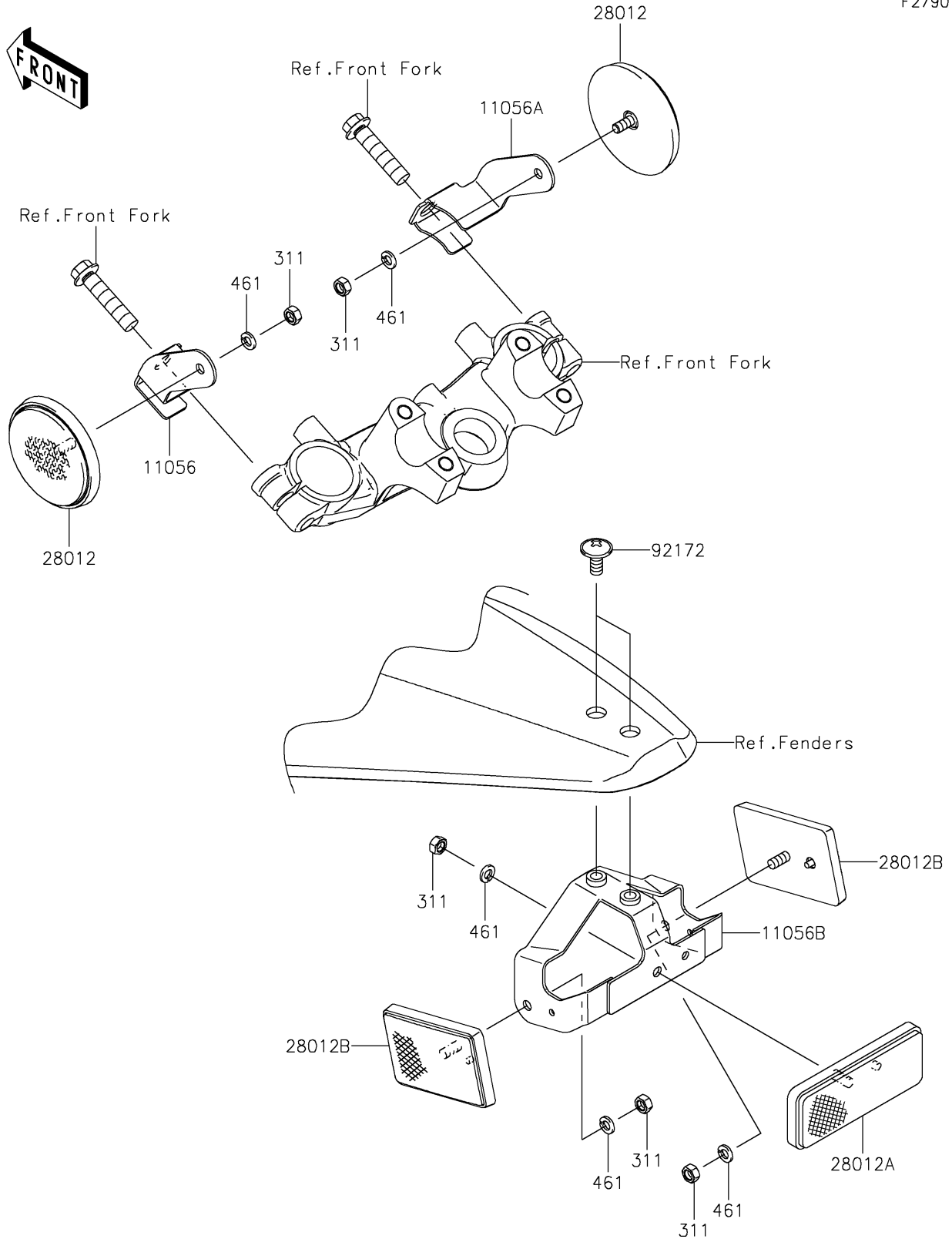


2022 KLX110L PARTS DIAGRAM

Reflectors(CN)

F2790



2022 KLX110L PARTS LIST

Reflectors(CN)

ITEM NAME	PART NUMBER	QUANTITY
BRACKET,REFLECTOR,FR,LH (Ref # 11056)	11056-0028	1
BRACKET,REFLECTOR,FR,RH (Ref # 11056A)	11056-0029	1
BRACKET,REFLECTOR,RR (Ref # 11056B)	11056-0111	1
REFLECTOR-REFLEX (Ref # 28012)	28012-0008	2
REFLECTOR-REFLEX (Ref # 28012A)	28012-1077	1
REFLECTOR-REFLEX (Ref # 28012B)	28012-1088	2
SCREW,6X14 (Ref # 92172)	92172-0401	2
NUT-HEX (Ref # 311)	311BA0500	5
WASHER-SPRING,5MM (Ref # 461)	461DA0500	5