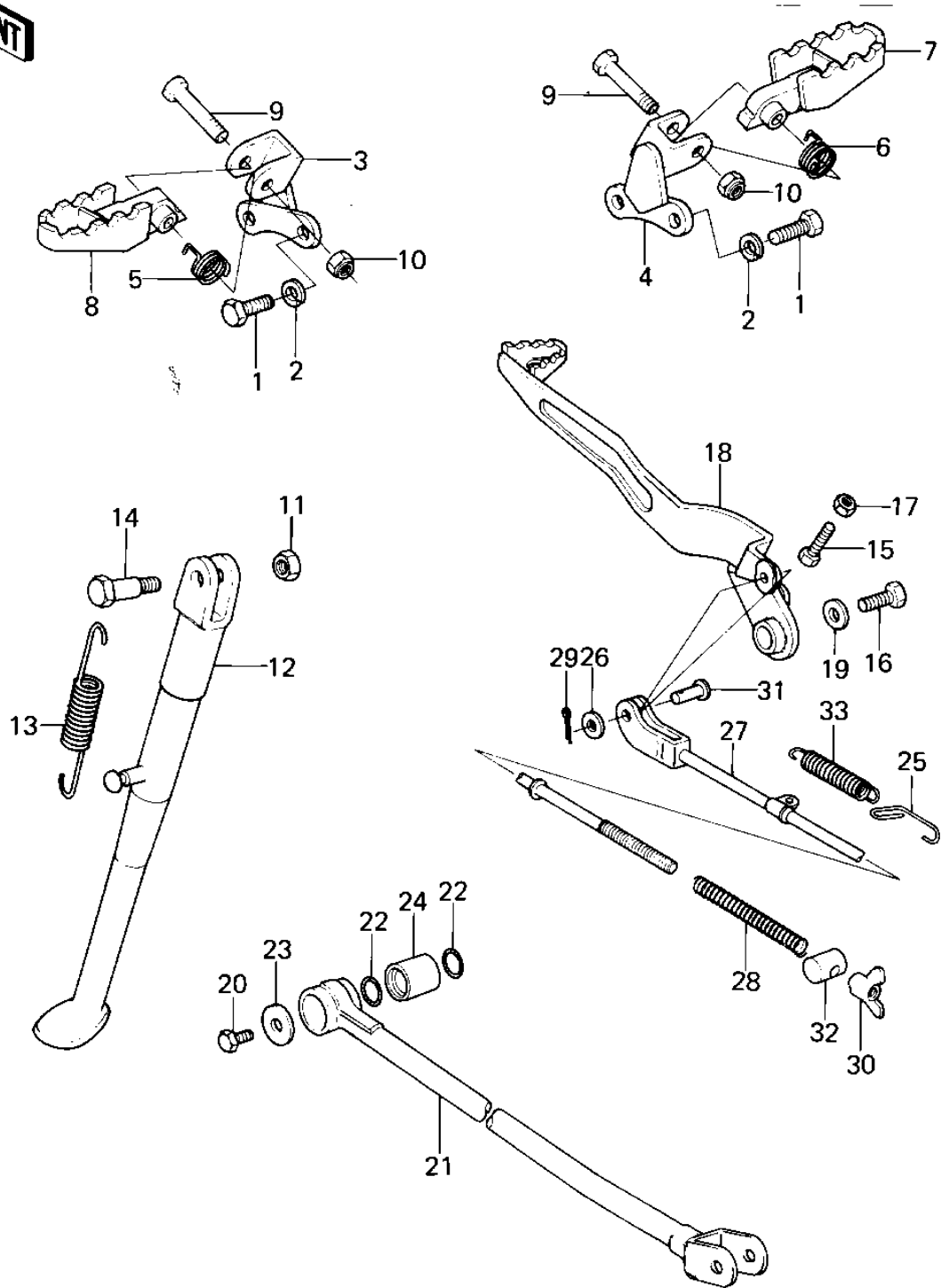


1979 KLX250 PARTS DIAGRAM

FOOTRESTS/STAND/BRAKE PEDAL



1979 KLX250 PARTS LIST

FOOTRESTS/STAND/BRAKE PEDAL

| ITEM NAME | PART NUMBER | QUANTITY |
|-----------|-------------|----------|
|-----------|-------------|----------|