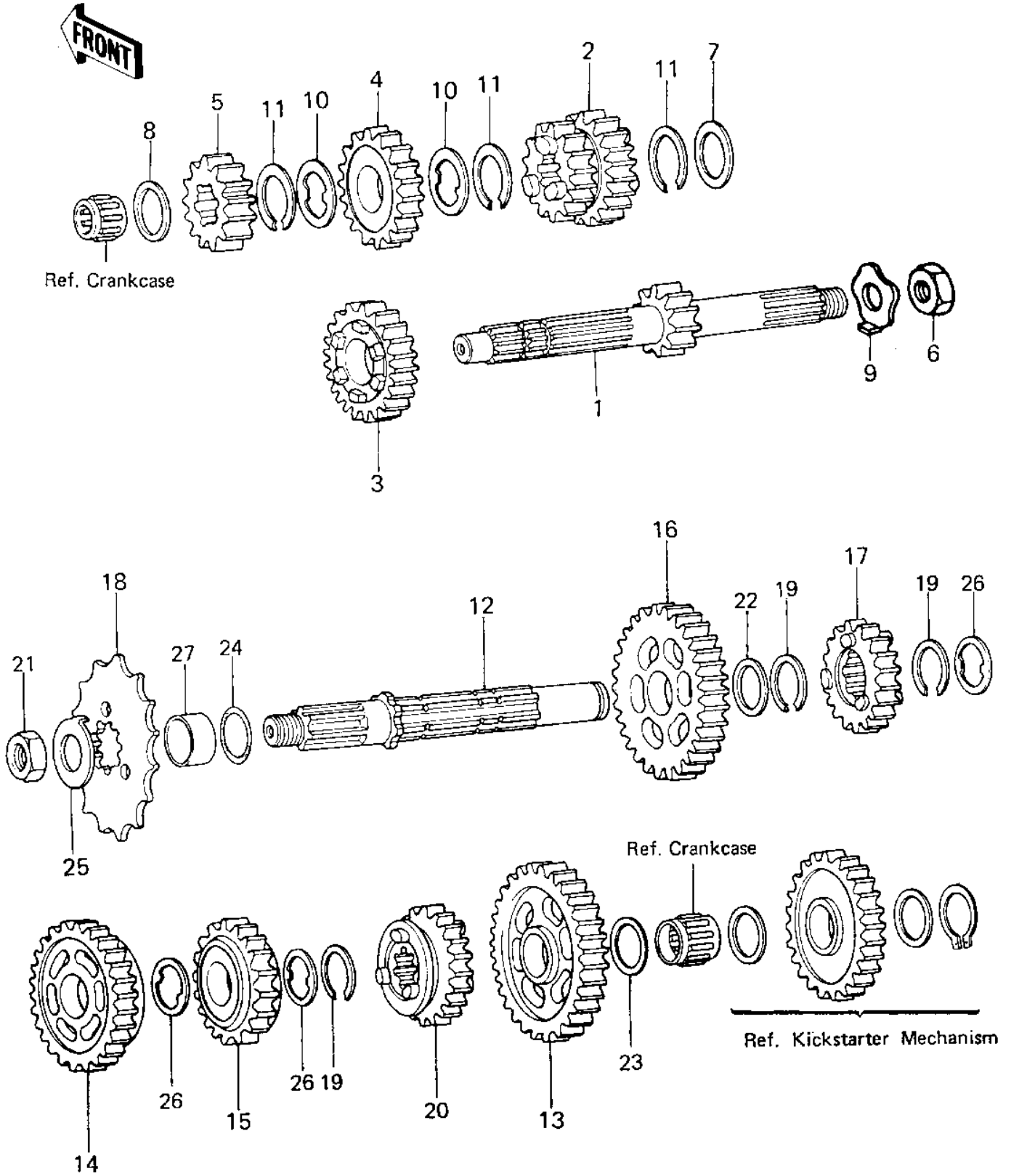


1980 KE125 PARTS DIAGRAM

TRANSMISSION ('80-'81 A7/A8)



1980 KE125 PARTS LIST

TRANSMISSION ('80-'81 A7/A8)

ITEM NAME	PART NUMBER	QUANTITY
SHAFT,DRIVE (Ref # 1)	13127-045	1
3RD&4TH GEAR,DRIVE SF (Ref # 2)	13129-1010	1
5TH GEAR,DRIVE SHAFT (Ref # 3)	13129-1018	1
TOP GEAR,DRIVE,SHAFT (Ref # 4)	13129-1021	1
2ND GEAR,DRIVE SHAFT (Ref # 5)	13130-036	1
NUT 14MM (Ref # 6)	315B1400	1
WASHER,PLAIN (Ref # 7)	92022-271	1
WASHER,PLAIN (Ref # 8)	92022-272	1
WASHER-LOCK,14MM (Ref # 9)	92024-046	1
WASHER,LOCK (Ref # 10)	92024-055	2
CIRCLIP (Ref # 11)	92033-028	3
SHAFT,OUTPUT (Ref # 12)	13128-040	1
LOW GEAR,OUTPUT SHAFT (Ref # 13)	13129-050	1
3RD GEAR,OUTPUT SHAFT (Ref # 14)	13129-1011	1
4TH GEAR,OUTPUT SHAFT (Ref # 15)	13129-1015	1
2ND GEAR,OUTPUT SHAFT (Ref # 16)	13131-043	1
TOP GEAR,OUTPUT SHAFT (Ref # 17)	13137-043	1
SPROCKET-OUTPUT,14T (Ref # 18)	13144-1058	1
ENGINE SPROCKET,13T (Ref # 18)	13144-053	(1
ENGINE SPROCKET,1ST (Ref # 18)	13144-054	(1
CIRCLIP (Ref # 19)	92033-028	3
5TH GEAR,OUTPUT SHAFT (Ref # 20)	13248-003	1
NUT 14MM (Ref # 21)	315B1400	1
WASHER,PLAIN (Ref # 22)	92022-271	1
WASHER,PLAIN (Ref # 23)	92022-273	1
"0" RING (Ref # 24)	92055-022	1
WASHER, (Ref # 25)	92024-052	1
WASHER,LOCK (Ref # 26)	92024-055	3
COLLAR,ENG SPROCKET (Ref # 27)	92027-1077	1