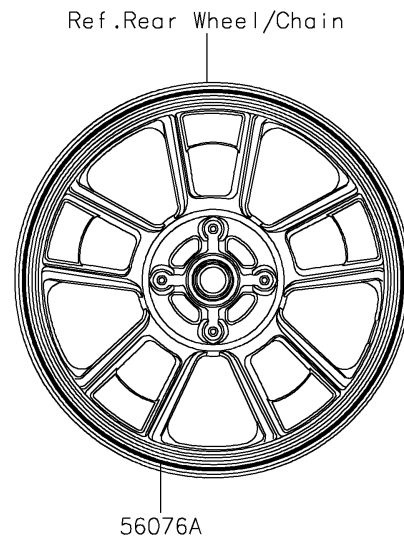
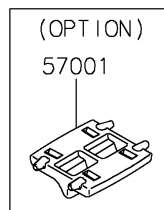
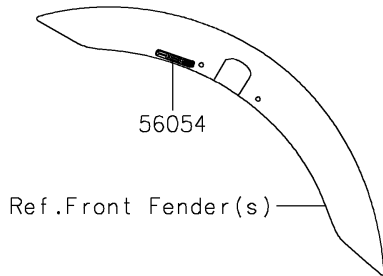
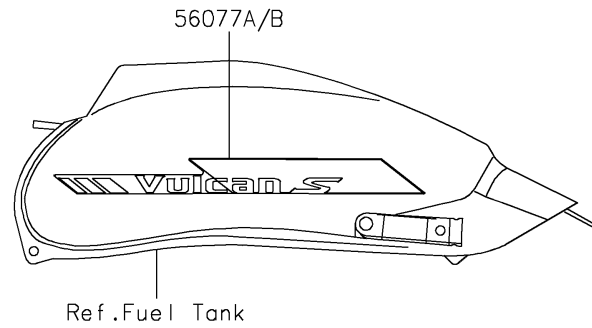
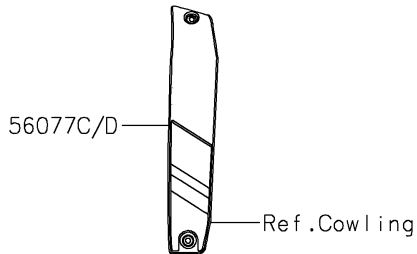
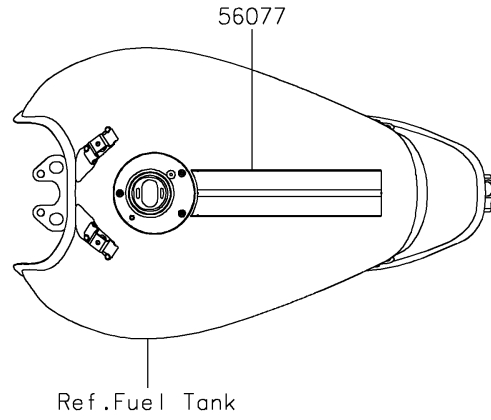
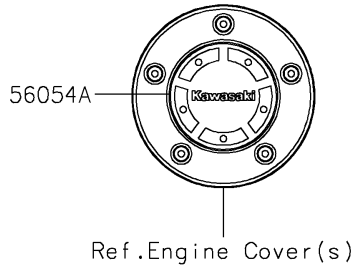


# 2024 Vulcan S

## PARTS DIAGRAM

### Decals(DRFAN/DRFAL)

F2861A



# 2024 Vulcan S

## PARTS LIST

Decals(DRFAN/DRFAL)

ITEM NAME	PART NUMBER	QUANTITY
MARK,ABS (Ref # 56054)	56054-1412	2
MARK,CLUTCH COVER,KAWASAKI (Ref # 56054A)	56054-1728	1
PATTERN,FR WHEEL,GOLD,6X1496 (Ref # 56076)	56076-7667	2
PATTERN,RR WHEEL,GOLD,6X1424 (Ref # 56076A)	56076-7668	2
PATTERN,FUEL TANK,UPP (Ref # 56077)	56077-1061	1
PATTERN,FUEL TANK,LH (Ref # 56077A)	56077-1062	1
PATTERN,FUEL TANK,RH (Ref # 56077B)	56077-1063	1
PATTERN,SHROUD COVER,LH (Ref # 56077C)	56077-1064	1
PATTERN,SHROUD COVER,RH (Ref # 56077D)	56077-1065	1
RIM STRIPE APPLICATOR (Ref # 57001)	57001-1752	AR