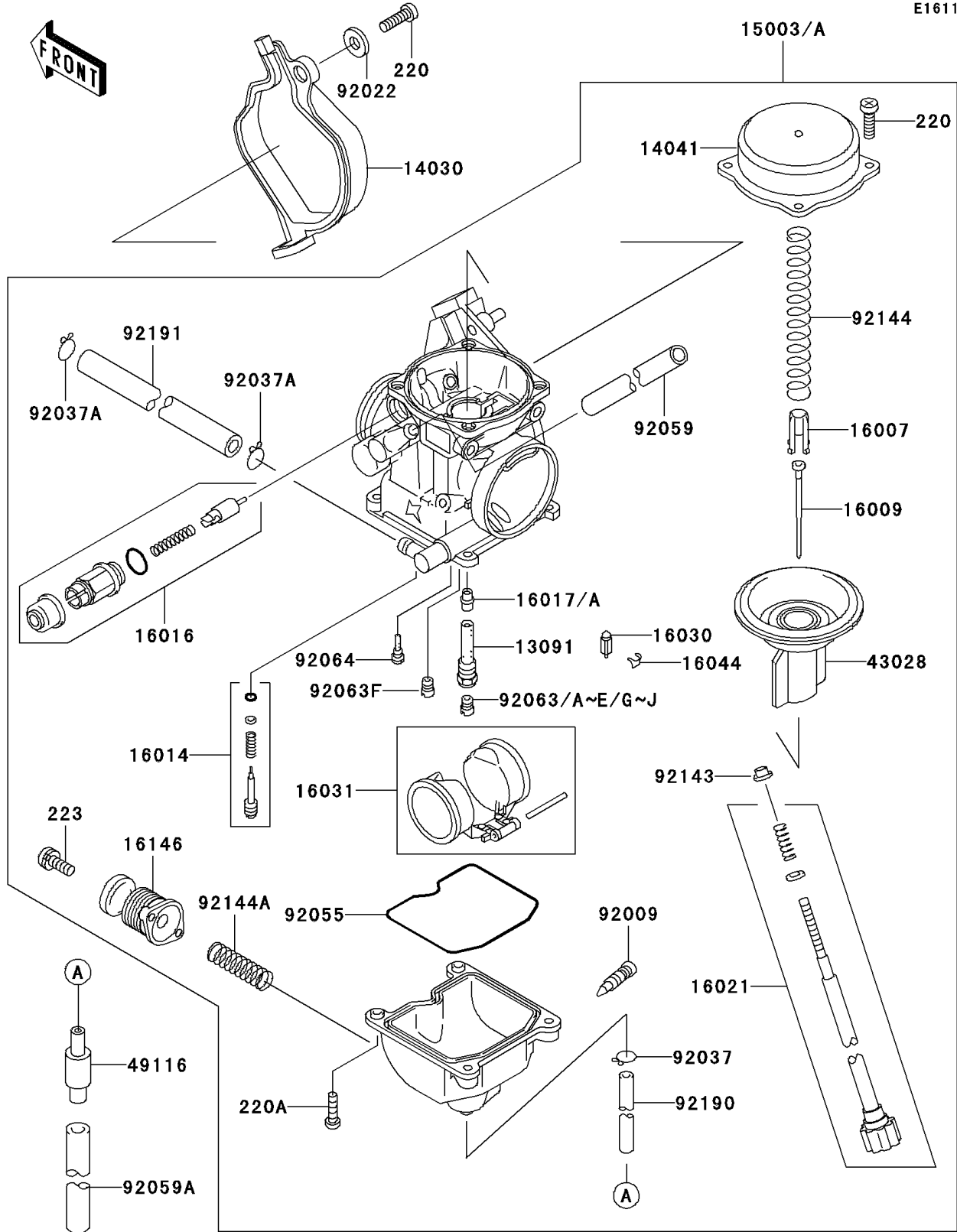


# 1997 Prairie 400 4X4 PARTS DIAGRAM

Carburetor(-VF400AE515522)

E1611



# 1997 Prairie 400 4X4 PARTS LIST

Carburetor(-VF400AE515522)

ITEM NAME	PART NUMBER	QUANTITY
HOLDER,NEEDLE JET (Ref # 13091)	13091-1259	1
COVER-CARBURETOR (Ref # 14030)	14030-1054	1
COVER-COMP,MIXING,INSIDE (Ref # 14041)	14041-1061	1
CARBURETOR-ASSY (Ref # 15003)	15003-1282	1
SEAT-SPRING,VALVE (Ref # 16007)	16007-1134	1
NEEDLE-JET,N3RC (Ref # 16009)	16009-1928	1
SCREW-PILOT AIR (Ref # 16014)	16014-1080	1
PLUNGER,STARTER (Ref # 16016)	16016-1101	1
JET-NEEDLE (Ref # 16017)	16017-1319	1
SCREW-THROTTLE STOP (Ref # 16021)	16021-1213	1
VALVE-FLOAT (Ref # 16030)	16030-1007	1
FLOAT (Ref # 16031)	16031-1077	1
CLAMP,FLOAT VALVE (Ref # 16044)	16044-007	1
COVER-ASSY,PUMP (Ref # 16146)	16146-1129	1
DIAPHRAGM,VALVE (Ref # 43028)	43028-1081	1
VALVE-ASSY (Ref # 49116)	49116-1126	1
SCREW,DRAIN,M6X0.75 (Ref # 92009)	92009-1551	1
WASHER,5.2X13X1 (Ref # 92022)	92022-1380	1
CLAMP,TUBE (Ref # 92037)	92037-1201	1
CLAMP,TUBE (Ref # 92037A)	92037-1531	2
RING-O,FLOAT CHAMBER (Ref # 92055)	92055-1518	1
TUBE,6.5X9.5X260 (Ref # 92059)	92059-1598	1
TUBE,7X10X100 (Ref # 92059A)	92059-1736	1
JET-MAIN,#140 (Ref # 92063)	92063-1013	1
JET-MAIN,#135 (Ref # 92063A)	92063-1014	1
JET-MAIN,#138 (Ref # 92063B)	92063-1015	1
JET-MAIN,#142 (Ref # 92063C)	92063-1016	1
JET-MAIN,#145 (Ref # 92063E)	92063-1017	1
SCREW-PAN-CROS (Ref # 220)	220B0408	5

## 1997 Prairie 400 4X4 PARTS LIST

Carburetor(-VF400AE515522)

ITEM NAME	PART NUMBER	QUANTITY
SCREW-PAN-CROS (Ref # 220A)	220D0414	4
SCREW-PAN-WS-CROS (Ref # 223)	223C0412	2
JET-MAIN,#85 (Ref # 92063F)	92063-1023	1
JET-MAIN,#148 (Ref # 92063G)	92063-1324	1
JET-MAIN,#150 (Ref # 92063I)	92063-1330	1
JET-MAIN,#152 (Ref # 92063J)	92063-1331	1
JET-PILOT,#35 (Ref # 92064)	92064-1101	1
COLLAR (Ref # 92143)	92143-1589	1
SPRING,VACUUM VALVE (Ref # 92144)	92144-1066	1
SPRING,PUMP (Ref # 92144A)	92144-1672	1
TUBE,4.5X8X330 (Ref # 92190)	92190-1557	1
TUBE,6.5X11.5X130 (Ref # 92191)	92191-1144	1