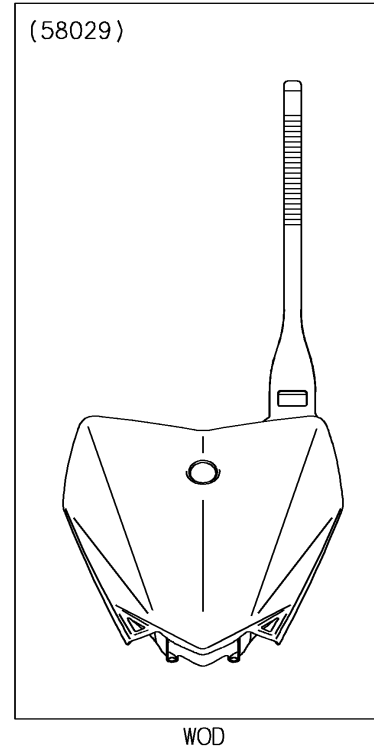
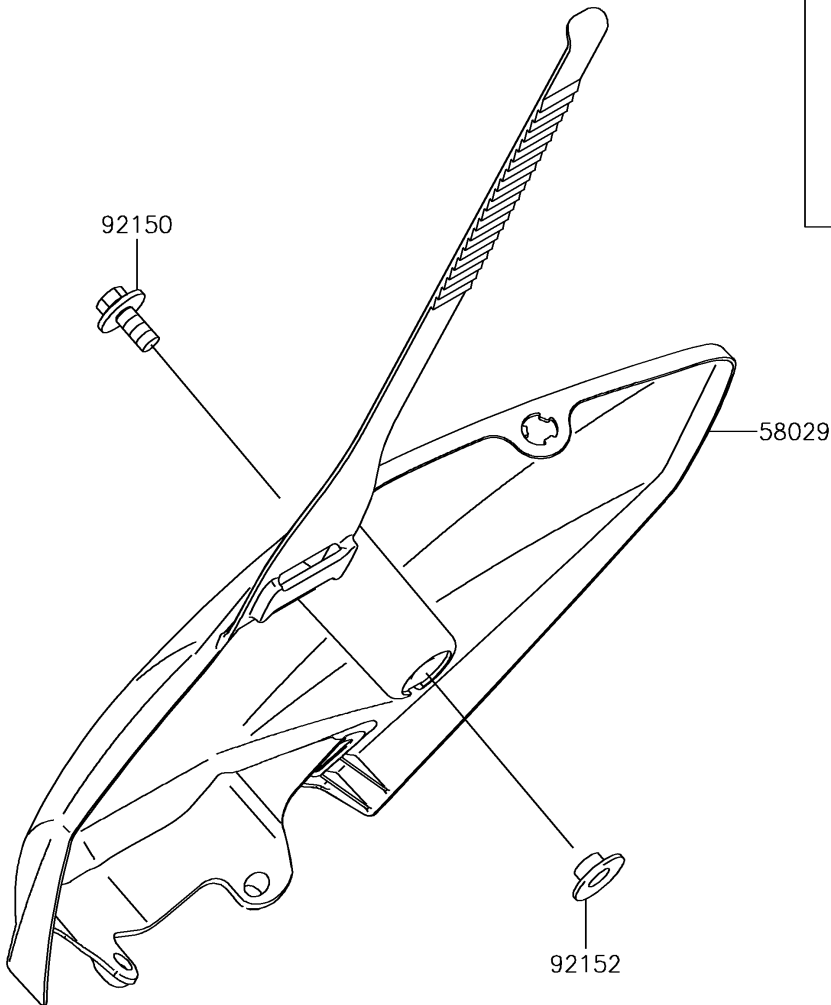


2016 KLX®110L PARTS DIAGRAM

Accessory

F2910



2016 KLX®110L PARTS LIST

Accessory

ITEM NAME	PART NUMBER	QUANTITY
-----------	-------------	----------