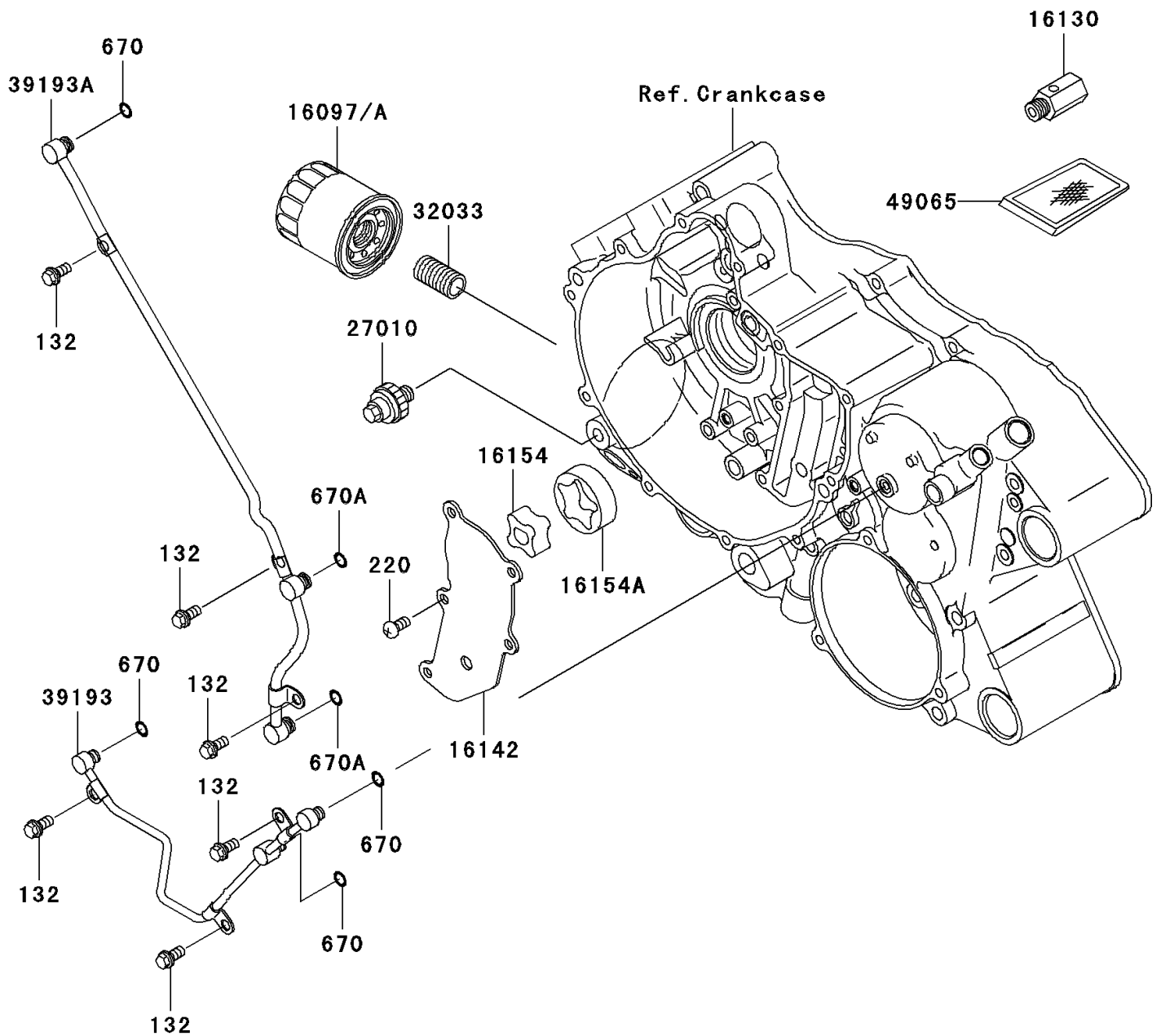


2008 Prairie® 360 4X4

PARTS DIAGRAM

Oil Pump/Oil Filter

E1710



2008 Prairie® 360 4X4

PARTS LIST

Oil Pump/Oil Filter

ITEM NAME	PART NUMBER	QUANTITY
BOLT-FLANGED-SMALL,6X12 (Ref # 132)	132BD0612	6
SCREW-PAN-CROSS,6X12 (Ref # 220)	220AA0612	5
O RING (Ref # 670)	670D1505	4
O RING,7MM (Ref # 670A)	670D1507	2
FILTER-ASSY-OIL (Ref # 16097)	16097-0003	1
VALVE-ASSY-RELIEF (Ref # 16130)	16130-1058	1
COVER-PUMP,OIL (Ref # 16142)	16142-1170	1
ROTOR-PUMP,INNER (Ref # 16154)	16154-1128	1
ROTOR-PUMP,OUTER (Ref # 16154A)	16154-1129	1
SWITCH,OIL PRESSURE (Ref # 27010)	27010-1313	1
PIPE,OIL FILTER (Ref # 32033)	32033-1535	1
PIPE-OIL (Ref # 39193)	39193-0021	1
PIPE-OIL (Ref # 39193A)	39193-0022	1
FILTER-OIL (Ref # 49065)	49065-1086	1