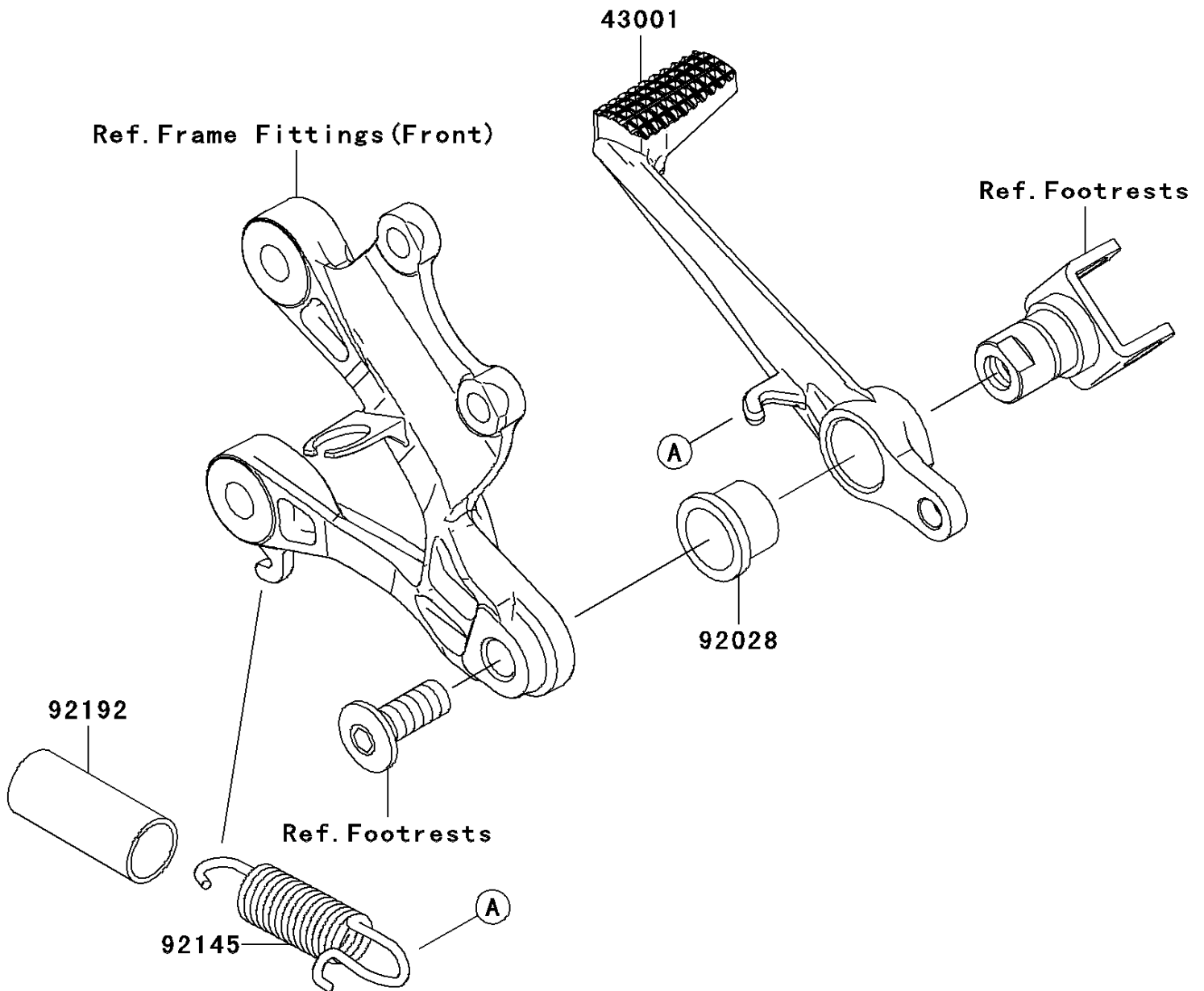


# 2012 NINJA<sup>®</sup> ZX<sup>™</sup>-6R

## PARTS DIAGRAM

### Brake Pedal/Torque Link



# 2012 NINJA® ZX™-6R

## PARTS LIST

### Brake Pedal/Torque Link

**ITEM NAME**

**PART NUMBER**

**QUANTITY**

---