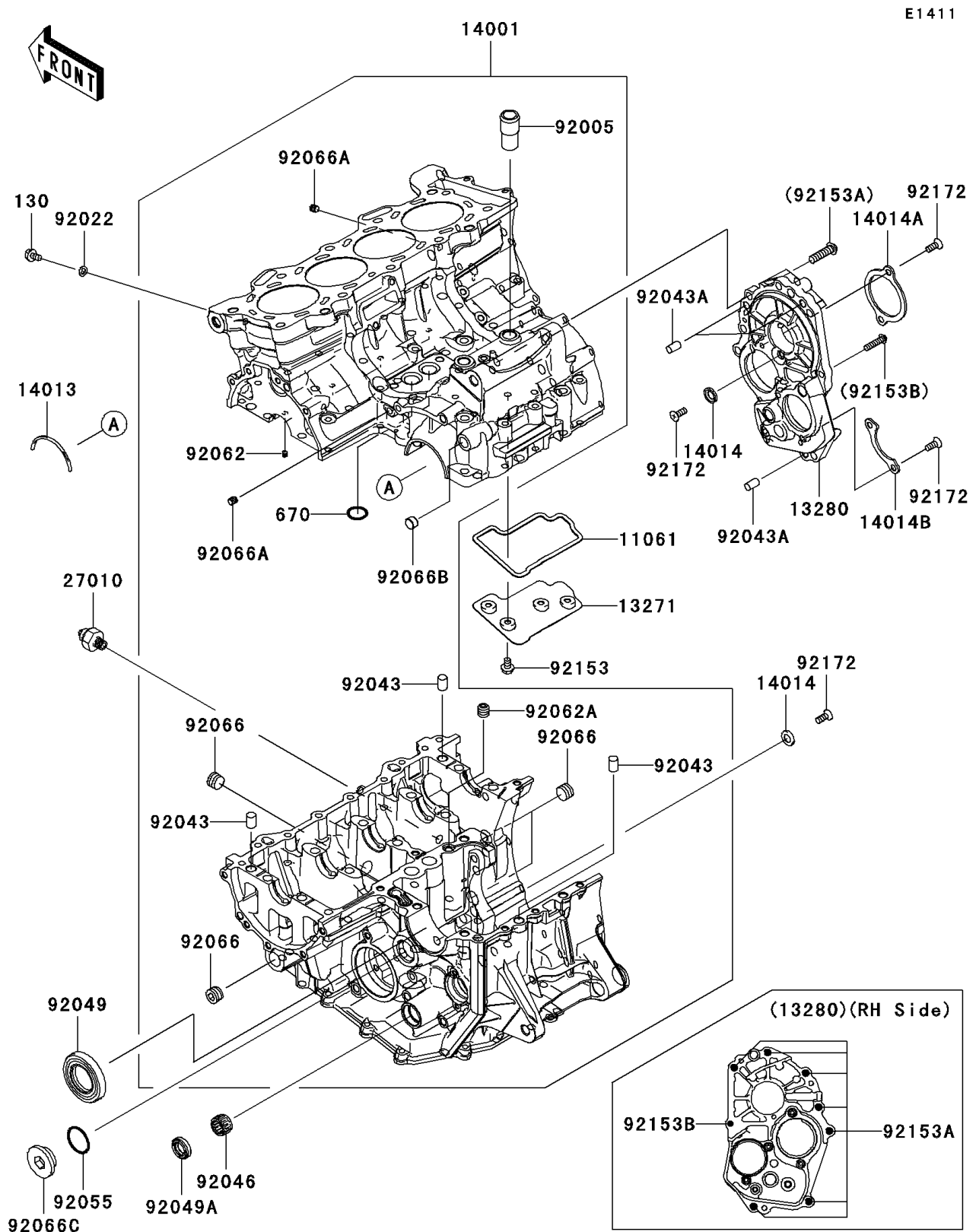


2012 NINJA[®] ZX[™]-6R

PARTS DIAGRAM

Crankcase



2012 NINJA® ZX™-6R

PARTS LIST

Crankcase

| ITEM NAME | PART NUMBER | QUANTITY |
|---|-------------|----------|
| BOLT-FLANGED,6X10 (Ref # 130) | 130BD0610 | 1 |
| O RING (Ref # 670) | 670D2018 | 2 |
| GASKET,BREATHER ROOM (Ref # 11061) | 11061-0291 | 1 |
| PLATE,BREATHER ROOM (Ref # 13271) | 13271-0795 | 1 |
| HOLDER,TRANSMISSION (Ref # 13280) | 13280-0305 | 1 |
| SET-CRANKCASE (Ref # 14001) | 14001-0159 | 1 |
| RING-POSITION (Ref # 14013) | 14013-1051 | 1 |
| PLATE-POSITION,9.5X17X2.3 (Ref # 14014) | 14014-0019 | 2 |
| PLATE-POSITION (Ref # 14014A) | 14014-0029 | 1 |
| PLATE-POSITION (Ref # 14014B) | 14014-0030 | 1 |
| SWITCH,OIL PRESSURE (Ref # 27010) | 27010-1313 | 1 |
| FITTING,BREATHER (Ref # 92005) | 92005-1238 | 1 |
| WASHER,6.2X11X1 (Ref # 92022) | 92022-304 | 1 |
| PIN,10X14 (Ref # 92043) | 92043-1506 | 3 |
| PIN,8X14 (Ref # 92043A) | 92043-1567 | 3 |
| BEARING-NEEDLE,HK1412FM (Ref # 92046) | 92046-0043 | 1 |
| SEAL-OIL,TC32578 (Ref # 92049) | 92049-1474 | 1 |
| SEAL-OIL,TC14245 (Ref # 92049A) | 92049-1520 | 1 |
| RING-O,27.7X2.4 (Ref # 92055) | 92055-091 | 1 |
| NOZZLE (Ref # 92062) | 92062-0019 | 4 |
| NOZZLE (Ref # 92062A) | 92062-1056 | 1 |
| PLUG,PT3/8X10 (Ref # 92066) | 92066-0003 | 4 |
| PLUG,OIL LINE,7.2X8 (Ref # 92066A) | 92066-1012 | 2 |
| PLUG (Ref # 92066B) | 92066-1110 | 1 |
| PLUG,25X8 (Ref # 92066C) | 92066-1161 | 1 |
| BOLT,6X10 (Ref # 92153) | 92153-0381 | 4 |
| BOLT,TORX,8X30 (Ref # 92153A) | 92153-1639 | 7 |
| BOLT,TORX,6X25 (Ref # 92153B) | 92153-1640 | 1 |
| SCREW,6X16 (Ref # 92172) | 92172-0090 | 6 |