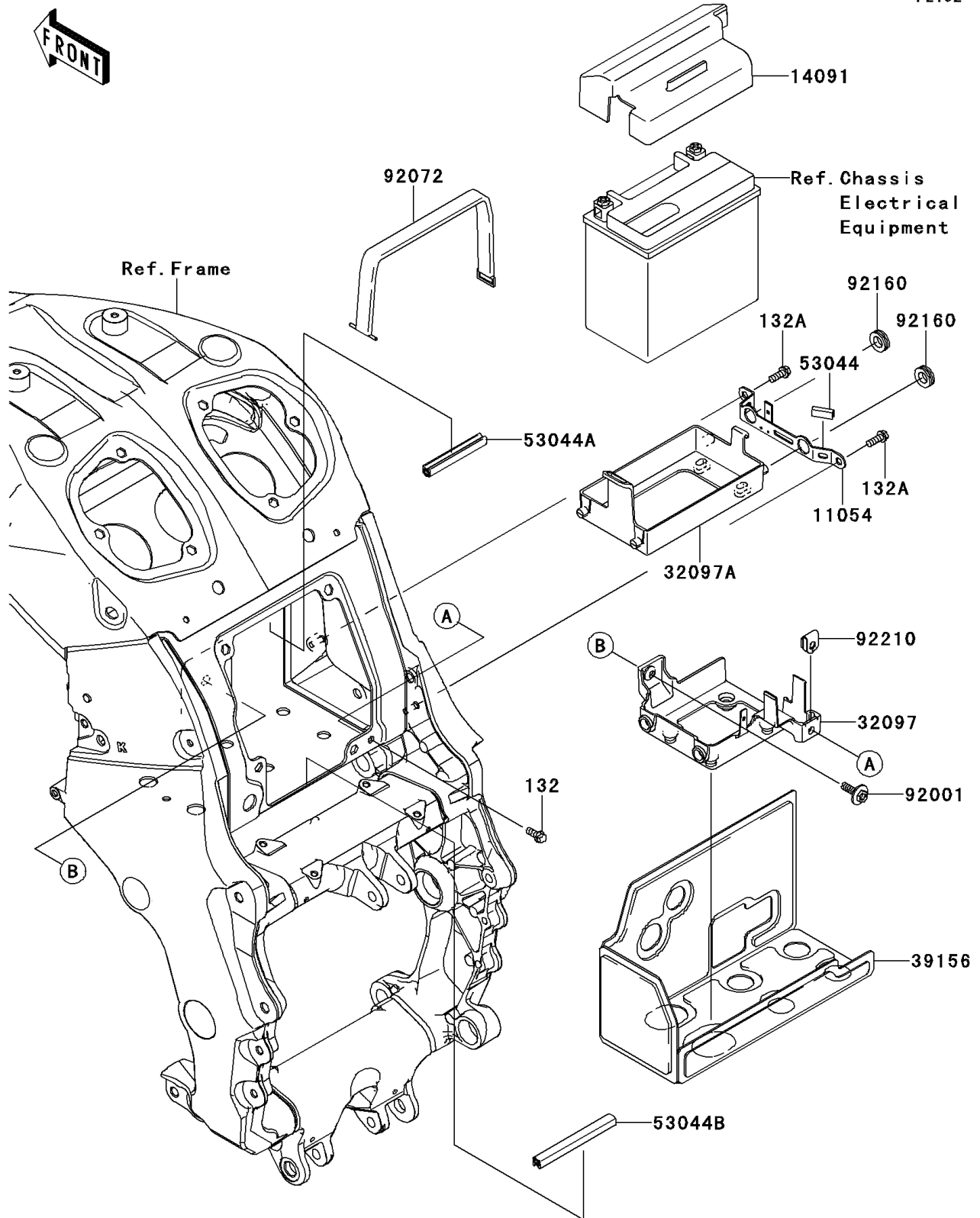


# 2013 NINJA<sup>®</sup> ZX<sup>™</sup>-14R

## PARTS DIAGRAM

### Battery Case

F2132



# 2013 NINJA<sup>®</sup> ZX<sup>™</sup>-14R

## PARTS LIST

### Battery Case

**ITEM NAME**

**PART NUMBER**

**QUANTITY**

---