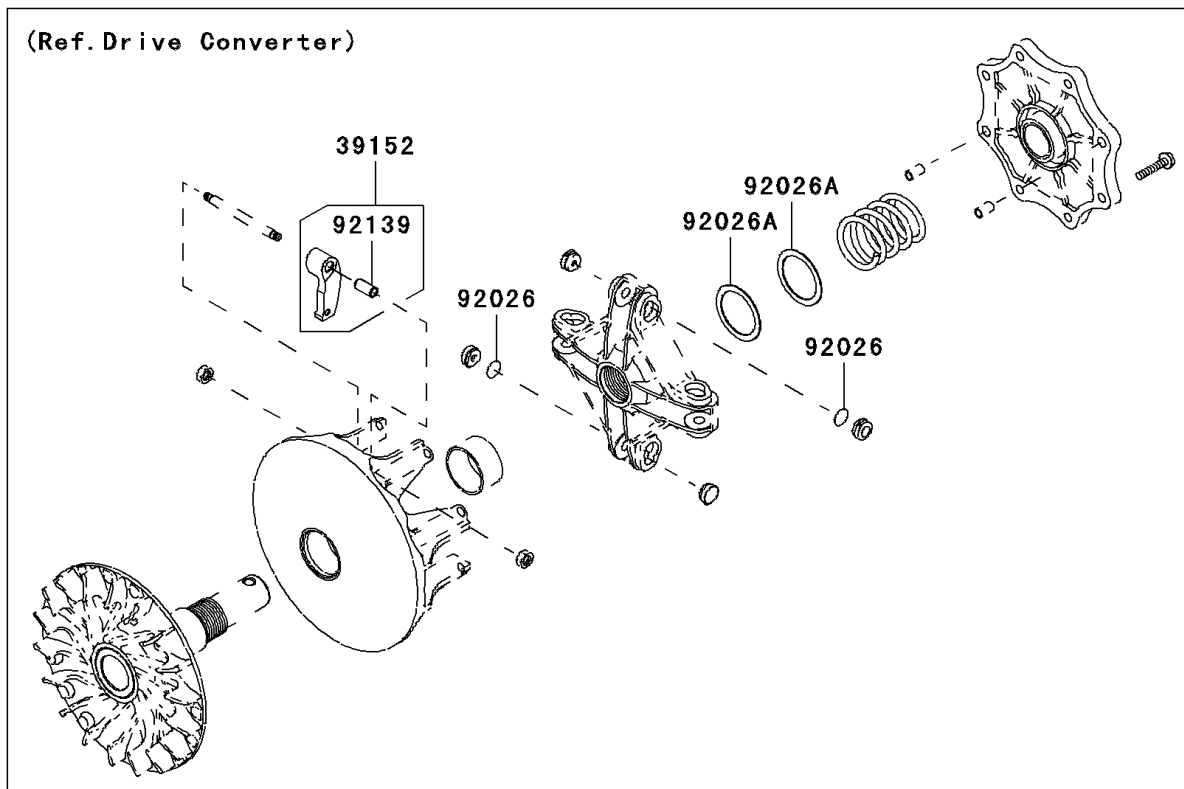
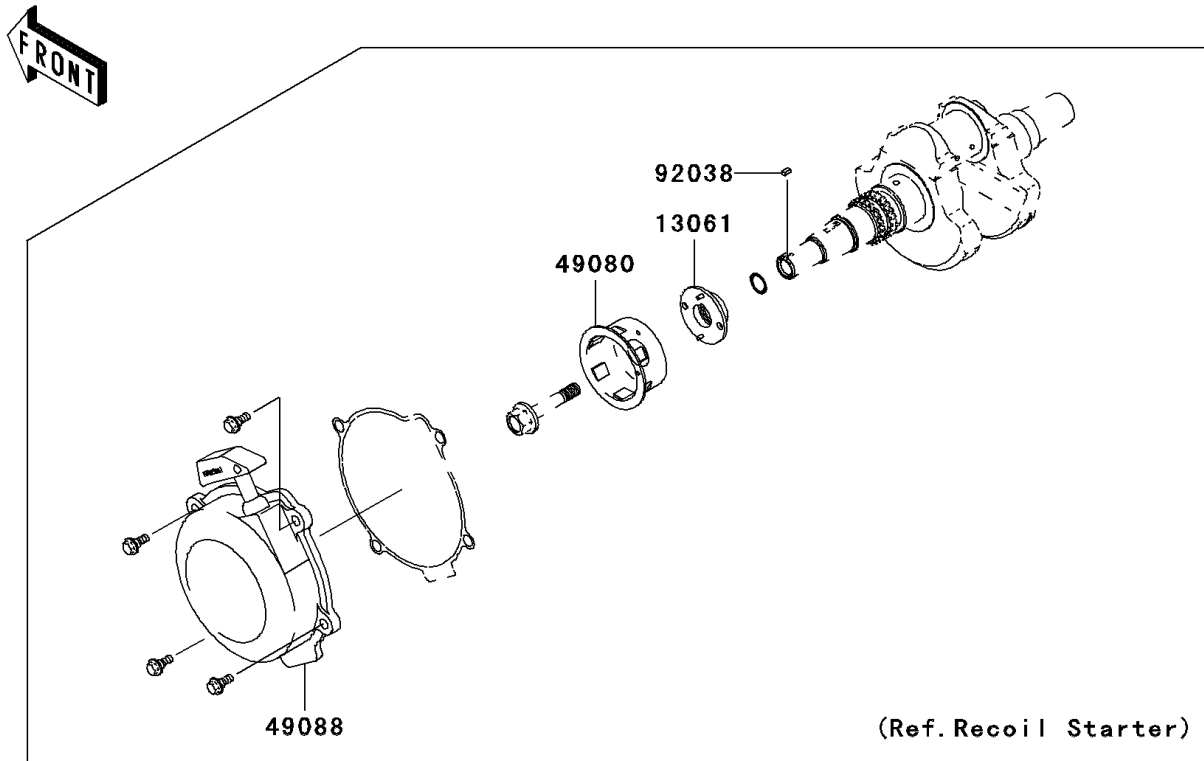


2008 Brute Force® 750 4x4i

PARTS DIAGRAM Optional Parts(F8F)

F2890



2008 Brute Force[®] 750 4x4i



PARTS LIST

Optional Parts(F8F)

ITEM NAME	PART NUMBER	QUANTITY
-----------	-------------	----------
