

2012 KX™ 450F

PARTS DIAGRAM

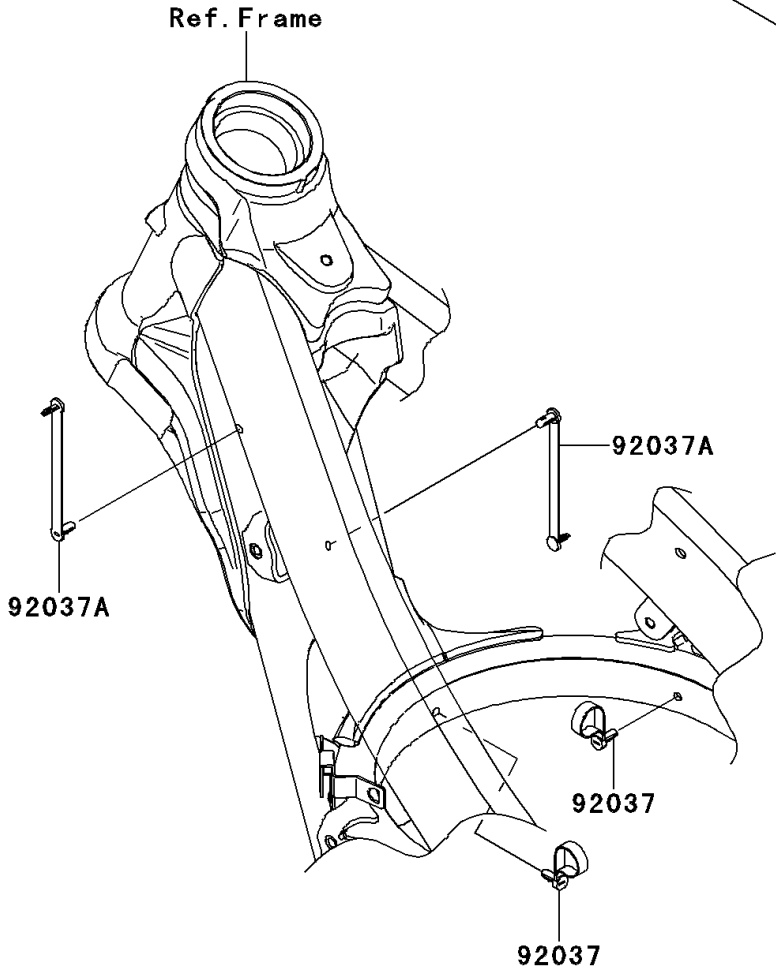
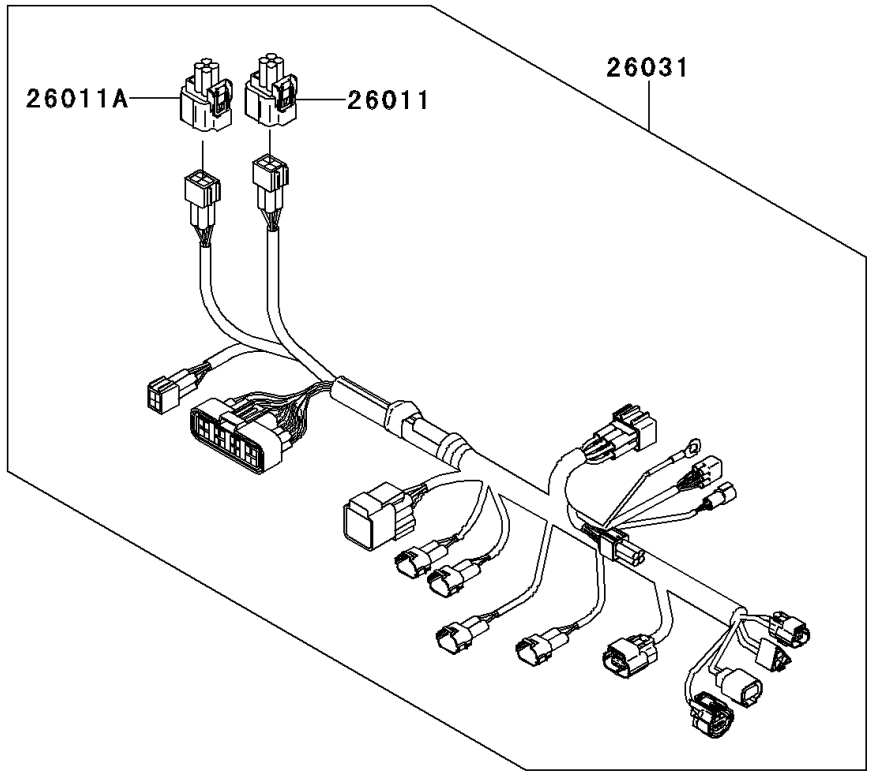
Chassis Electrical Equipment

F2760



(OPTION)

26011B/C



2012 KX™ 450F

PARTS LIST

Chassis Electrical Equipment

ITEM NAME

PART NUMBER

QUANTITY
