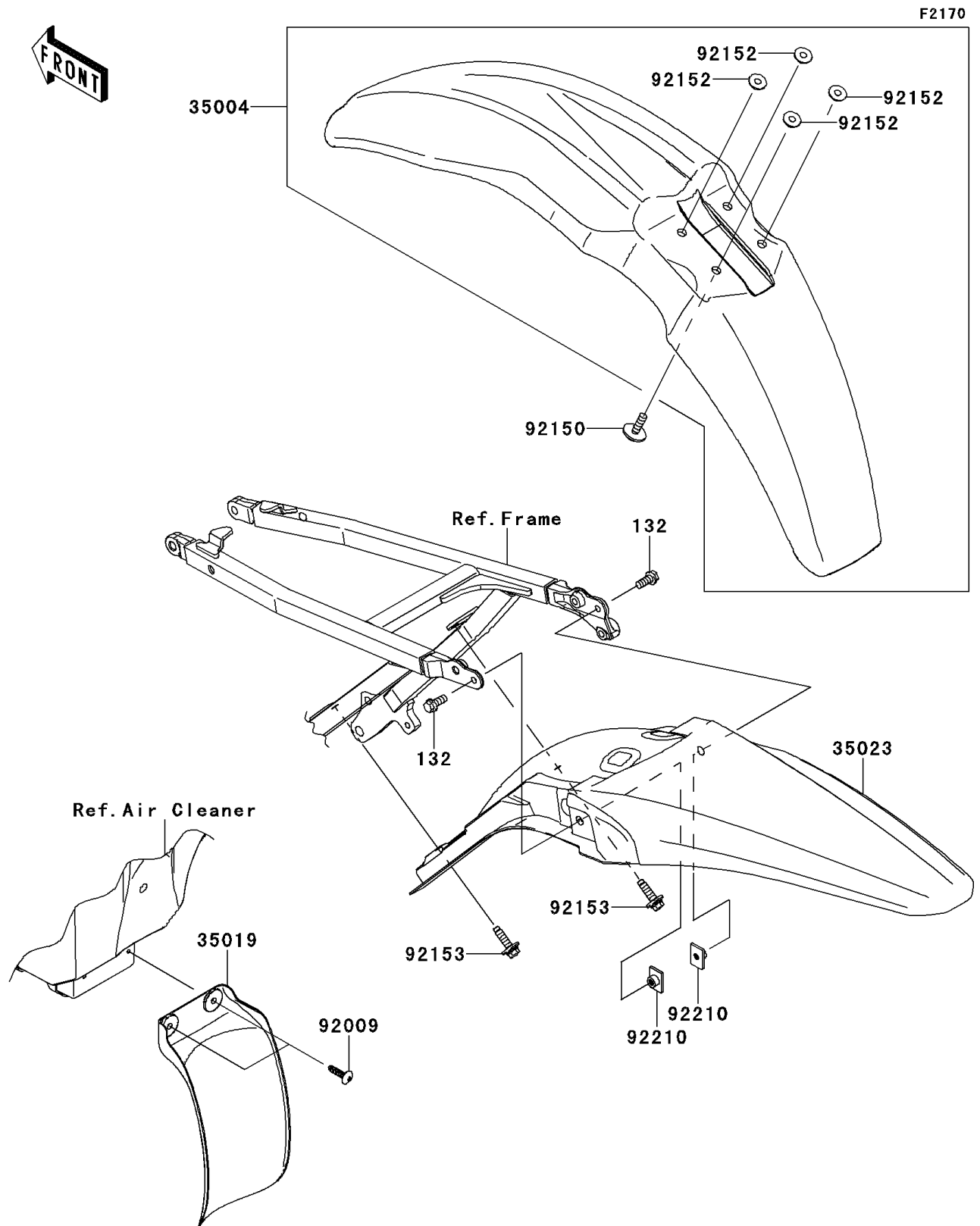


# 2012 KX™ 450F

## PARTS DIAGRAM

### Fenders



# 2012 KX™ 450F

## PARTS LIST

### Fenders

**ITEM NAME**

**PART NUMBER**

**QUANTITY**

---