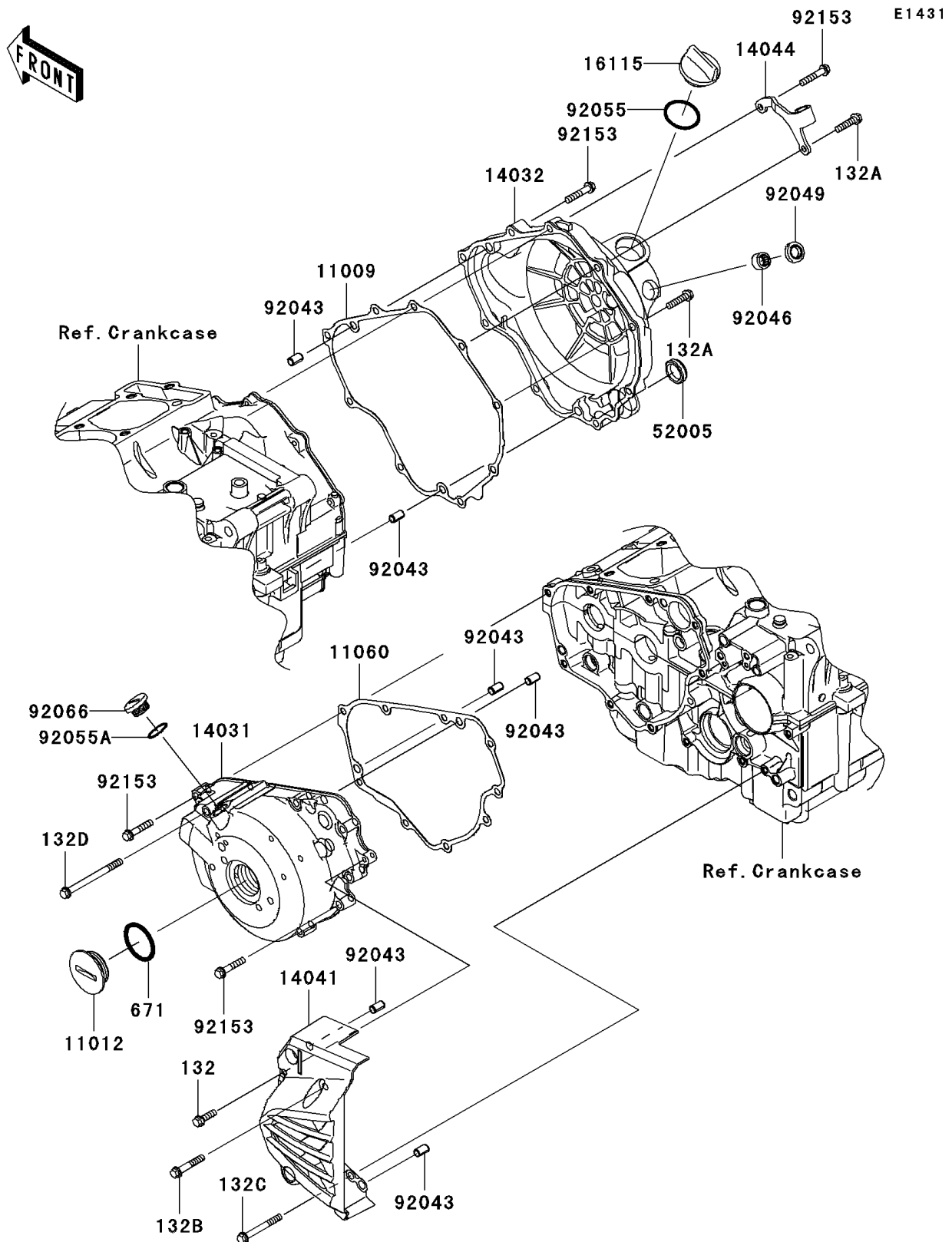


# 2011 NINJA® 250R

## PARTS DIAGRAM

### Engine Cover(s)



# 2011 NINJA® 250R

## PARTS LIST

### Engine Cover(s)

ITEM NAME	PART NUMBER	QUANTITY
BOLT-FLANGED-SMALL,6X20 (Ref # 132)	132BB0620	1
BOLT-FLANGED-SMALL,6X25 (Ref # 132A)	132BB0625	2
BOLT-FLANGED-SMALL,6X35 (Ref # 132B)	132BB0635	1
BOLT-FLANGED-SMALL,6X50 (Ref # 132C)	132BB0650	1
BOLT-FLANGED-SMALL,6X75 (Ref # 132D)	132BB0675	1
O RING,40MM (Ref # 671)	671B2540	1
GASKET,CLUTCH COVER (Ref # 11009)	11009-1872	1
CAP (Ref # 11012)	11012-1362	1
GASKET,GENERATOR COVER (Ref # 11060)	11060-1920	1
COVER-GENERATOR (Ref # 14031)	14031-0080	1
COVER-CLUTCH (Ref # 14032)	14032-0095	1
COVER-COMP,CHAIN (Ref # 14041)	14041-0021	1
HOLDER-CABLE (Ref # 14044)	14044-0045	1
CAP-OIL FILLER (Ref # 16115)	16115-1068	1
GAUGE,OIL LEVEL (Ref # 52005)	52005-1009	1
PIN,6.2X8X14 (Ref # 92043)	92043-1263	6
BEARING-NEEDLE,HK1210 (Ref # 92046)	92046-1010	1
SEAL-OIL (Ref # 92049)	92049-1560	1
RING-O,31.5X2.6 (Ref # 92055)	92055-049	1
RING-O,20X2 (Ref # 92055A)	92055-1146	1
PLUG,COVER (Ref # 92066)	92066-1163	1
BOLT,6X30 (Ref # 92153)	92153-0832	15