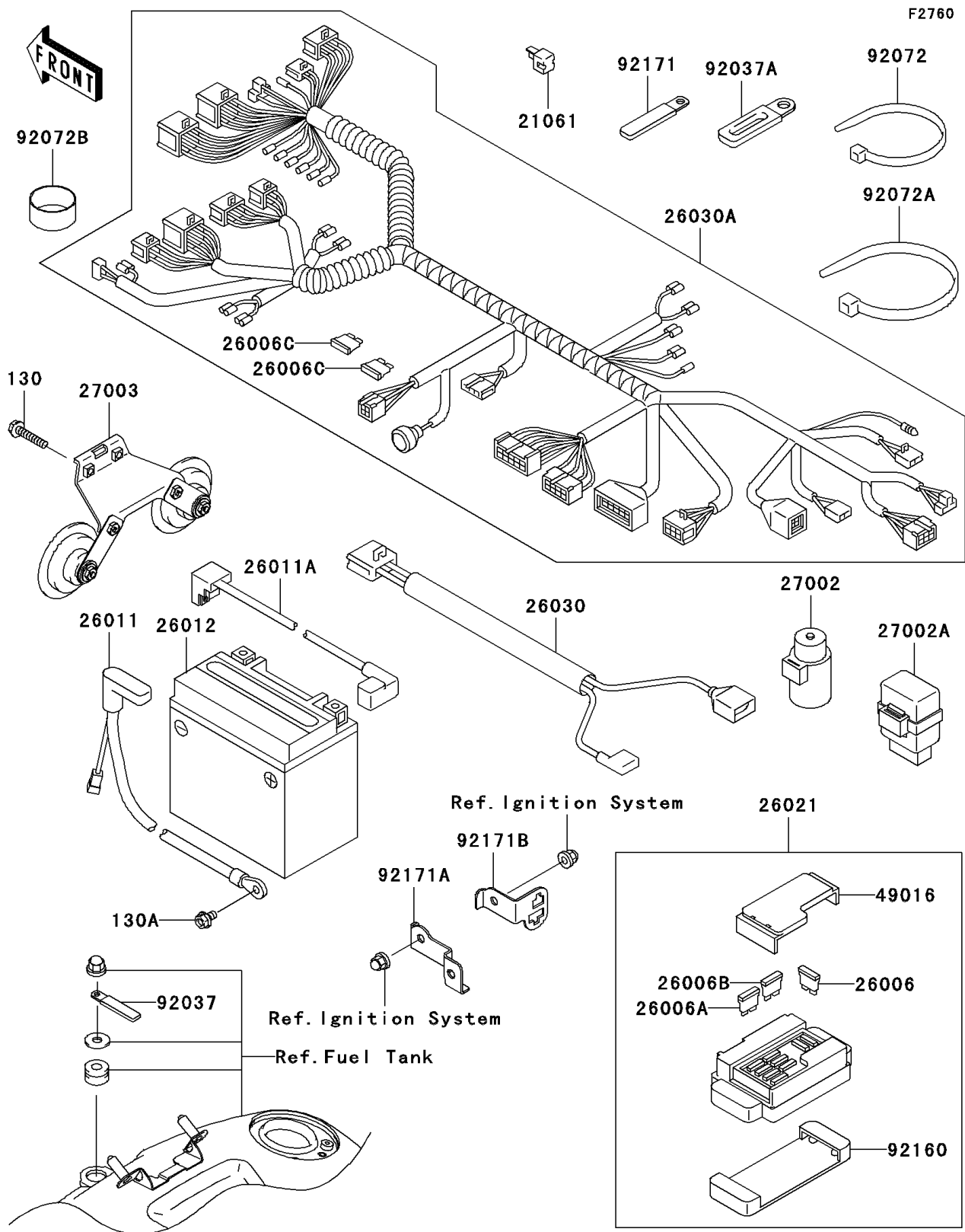


2008 Vulcan® 1500 Classic

PARTS DIAGRAM

Chassis Electrical Equipment



2008 Vulcan® 1500 Classic

PARTS LIST

Chassis Electrical Equipment

ITEM NAME

PART NUMBER

QUANTITY
