

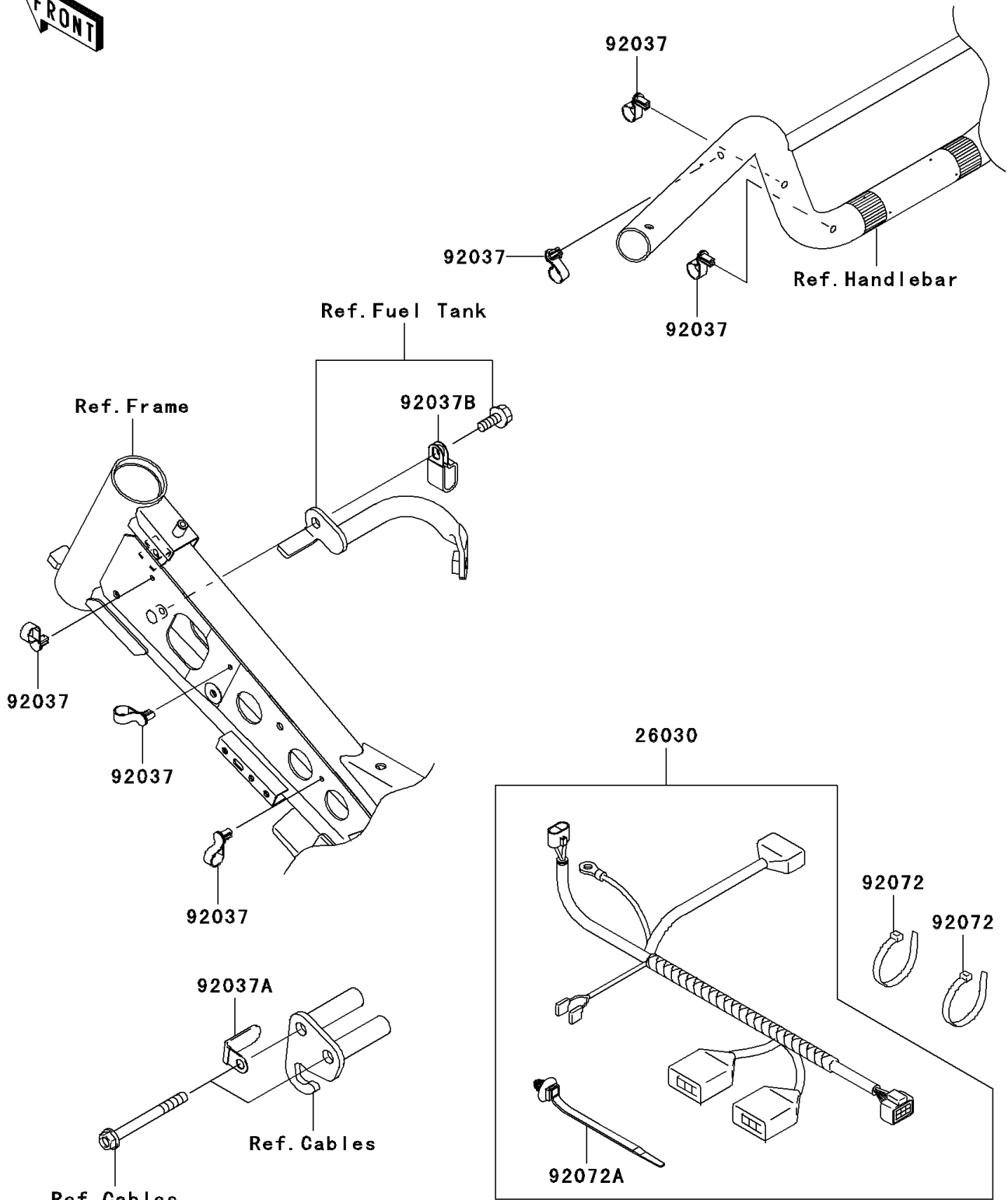
2009 KLX[®]110

PARTS DIAGRAM

Chassis Electrical Equipment



F2760



2009 KLX[®]110

PARTS LIST

Chassis Electrical Equipment

ITEM NAME

PART NUMBER

QUANTITY
