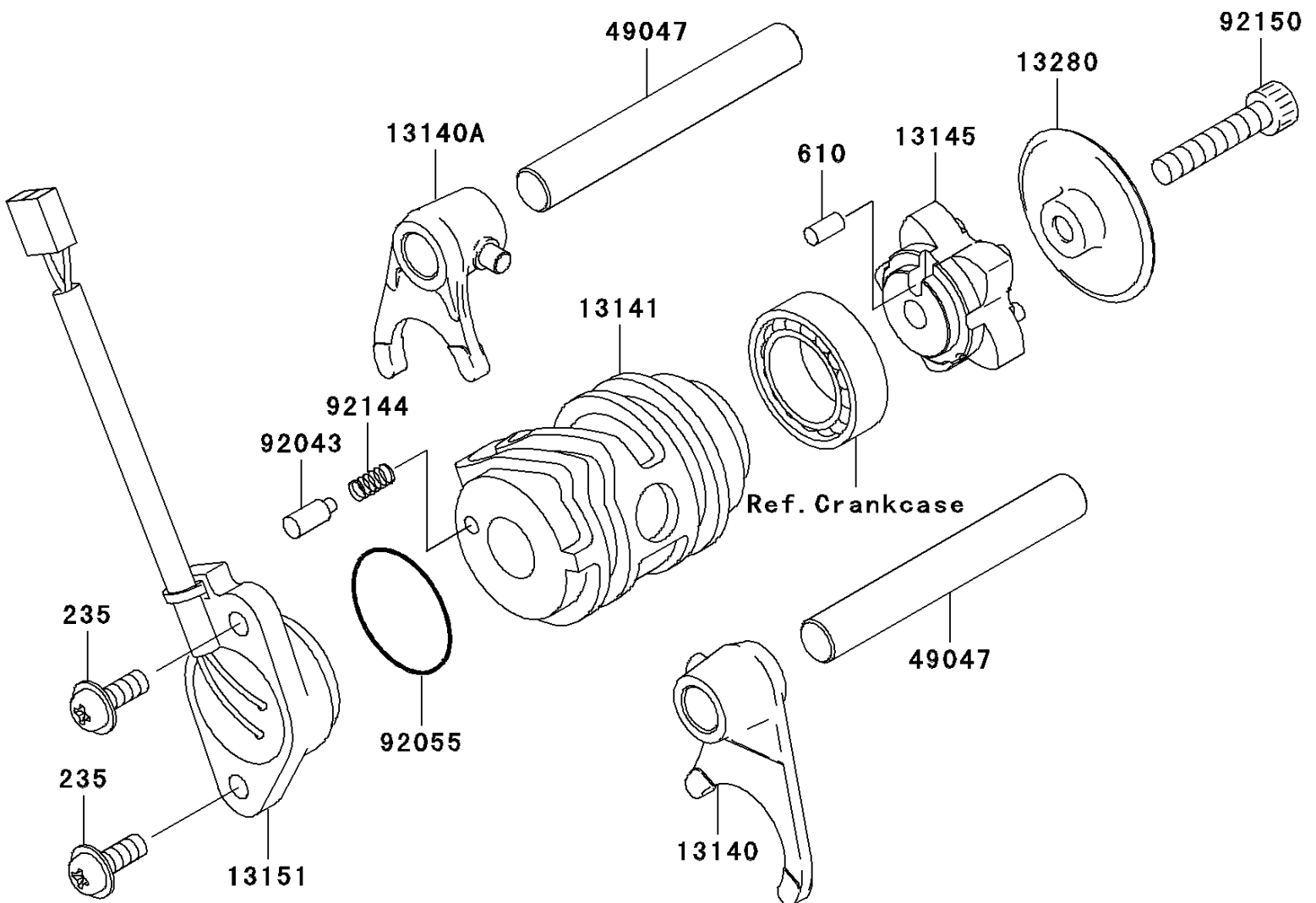


2008 KLX[®]110

PARTS DIAGRAM

Gear Change Drum/Shift Fork(s)



2008 KLX[®]110

PARTS LIST

Gear Change Drum/Shift Fork(s)

ITEM NAME	PART NUMBER	QUANTITY
SCREW-PAN-WP-CROS,5X14 (Ref # 235)	235AA0514	2
ROLLER,4X8 (Ref # 610)	610A0408	1
FORK-SHIFT,LOW&3RD (Ref # 13140)	13140-0058	1
FORK-SHIFT,2ND&4TH (Ref # 13140A)	13140-0059	1
DRUM-CHANGE (Ref # 13141)	13141-0038	1
CAM-CHANGE DRUM (Ref # 13145)	13145-1081	1
SWITCH-COMP,NEUTRAL (Ref # 13151)	13151-0021	1
HOLDER (Ref # 13280)	13280-1228	1
ROD-SHIFT (Ref # 49047)	49047-1058	2
PIN (Ref # 92043)	92043-1385	1
RING-O (Ref # 92055)	92055-091	1
SPRING (Ref # 92144)	92144-1245	1
BOLT,SOCKET,6X30 (Ref # 92150)	92150-1433	1