

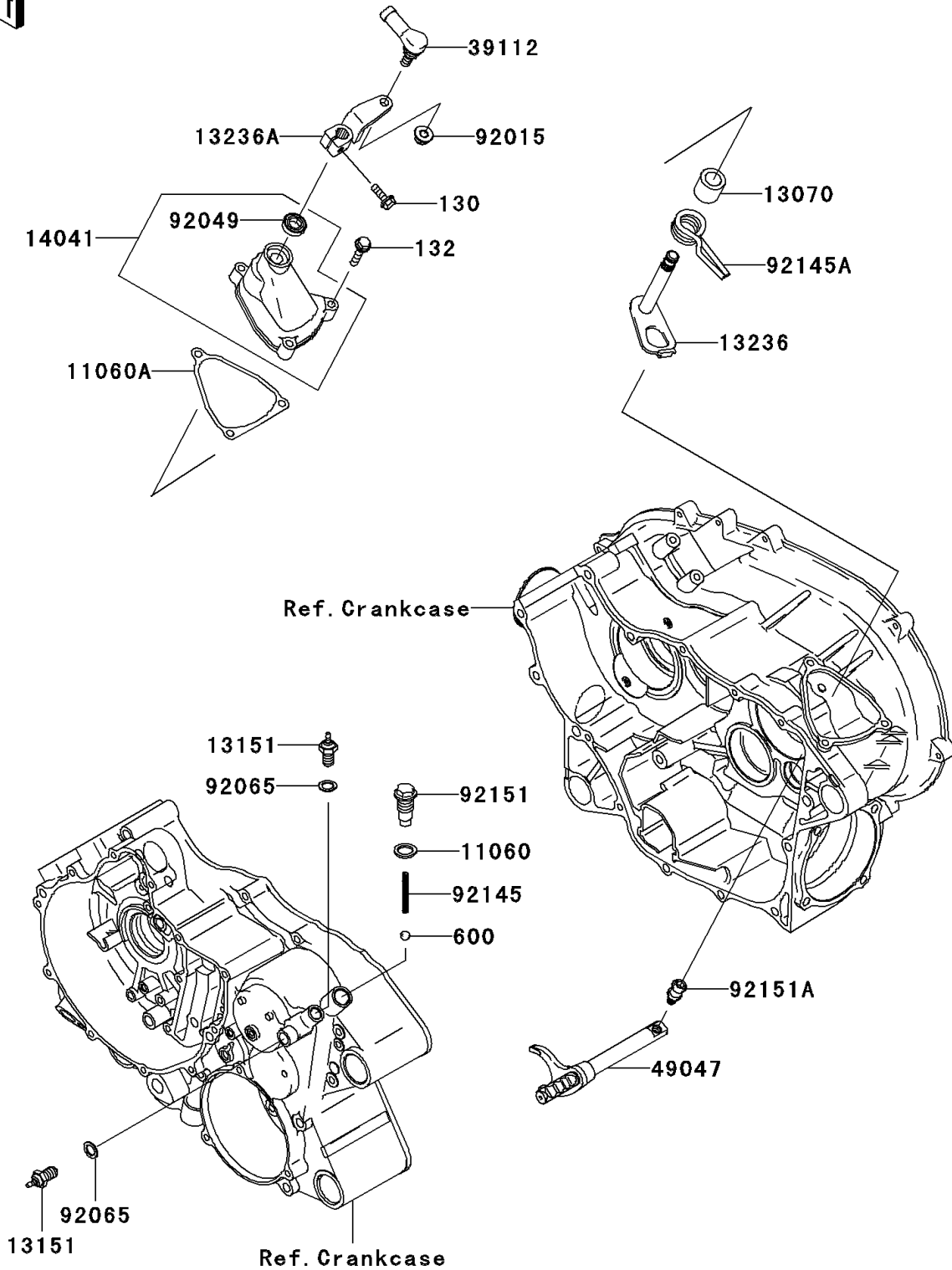
2011 PRAIRIE® 360 4x4 Realtree® APG™ HD®

Kawasaki
Let the Good Times Roll®

PARTS DIAGRAM

Gear Change Mechanism

E1370



2011 PRAIRIE® 360 4x4 Realtree® APG™ HD®

Kawasaki
Let the Good Times Roll®

PARTS LIST

Gear Change Mechanism

ITEM NAME

PART NUMBER

QUANTITY
