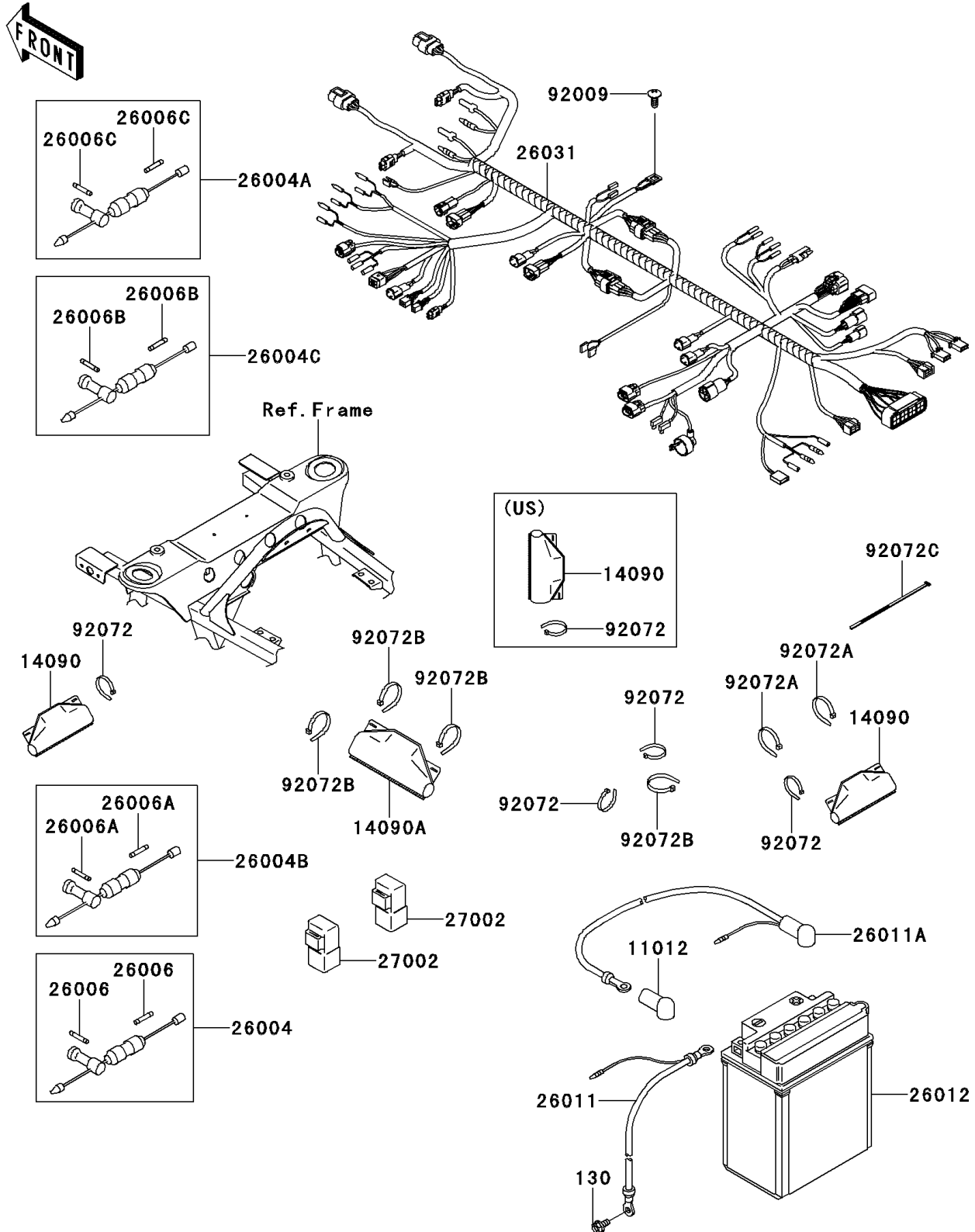


# 2012 PRAIRIE® 360 4x4

## PARTS DIAGRAM

### Chassis Electrical Equipment

F2760



# 2012 PRAIRIE® 360 4x4

## PARTS LIST

### Chassis Electrical Equipment

**ITEM NAME**

**PART NUMBER**

**QUANTITY**

---