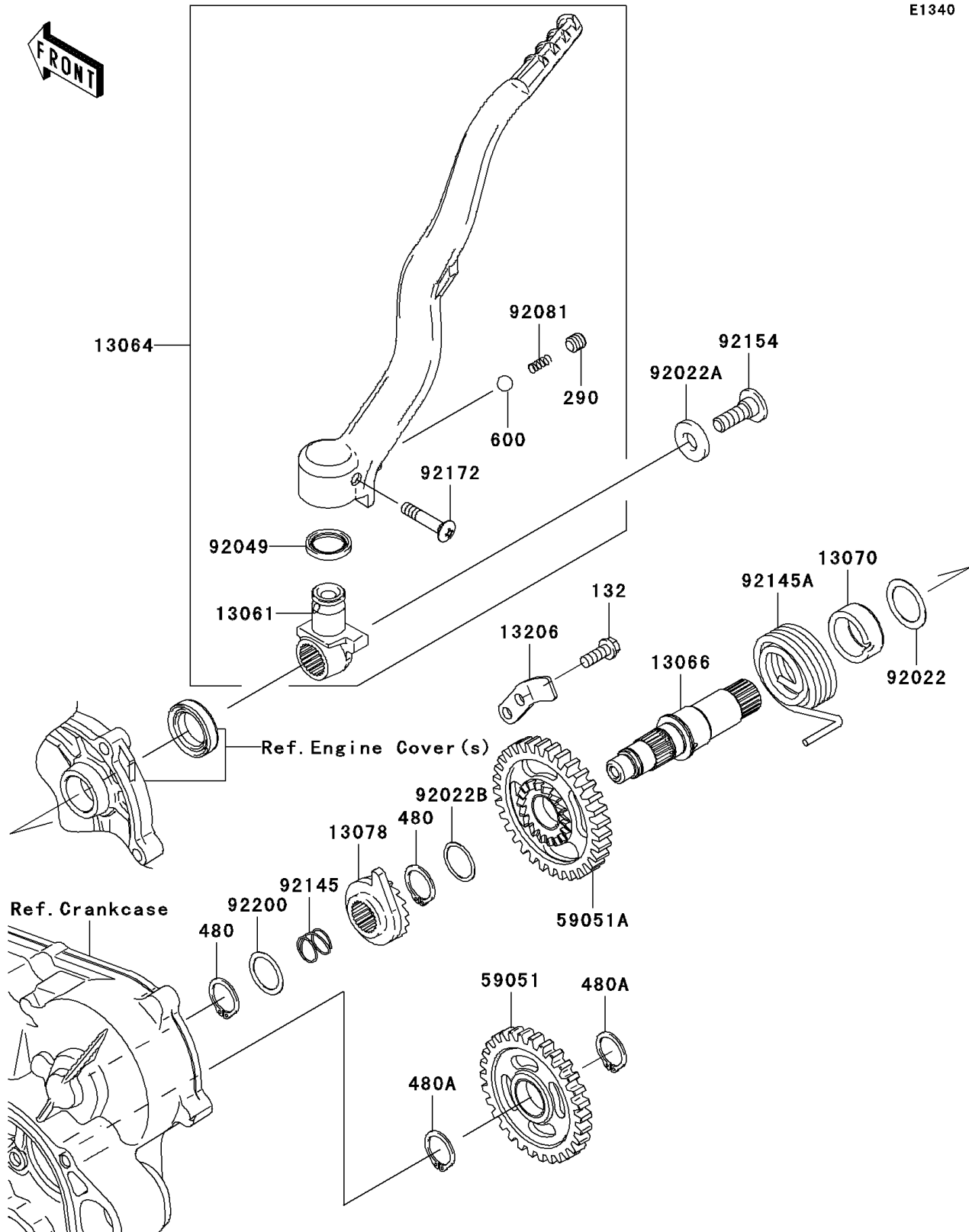


2011 KX™ 450F

PARTS DIAGRAM

Kickstarter Mechanism

E1340



2011 KX™ 450F

PARTS LIST

Kickstarter Mechanism

ITEM NAME

PART NUMBER

QUANTITY
