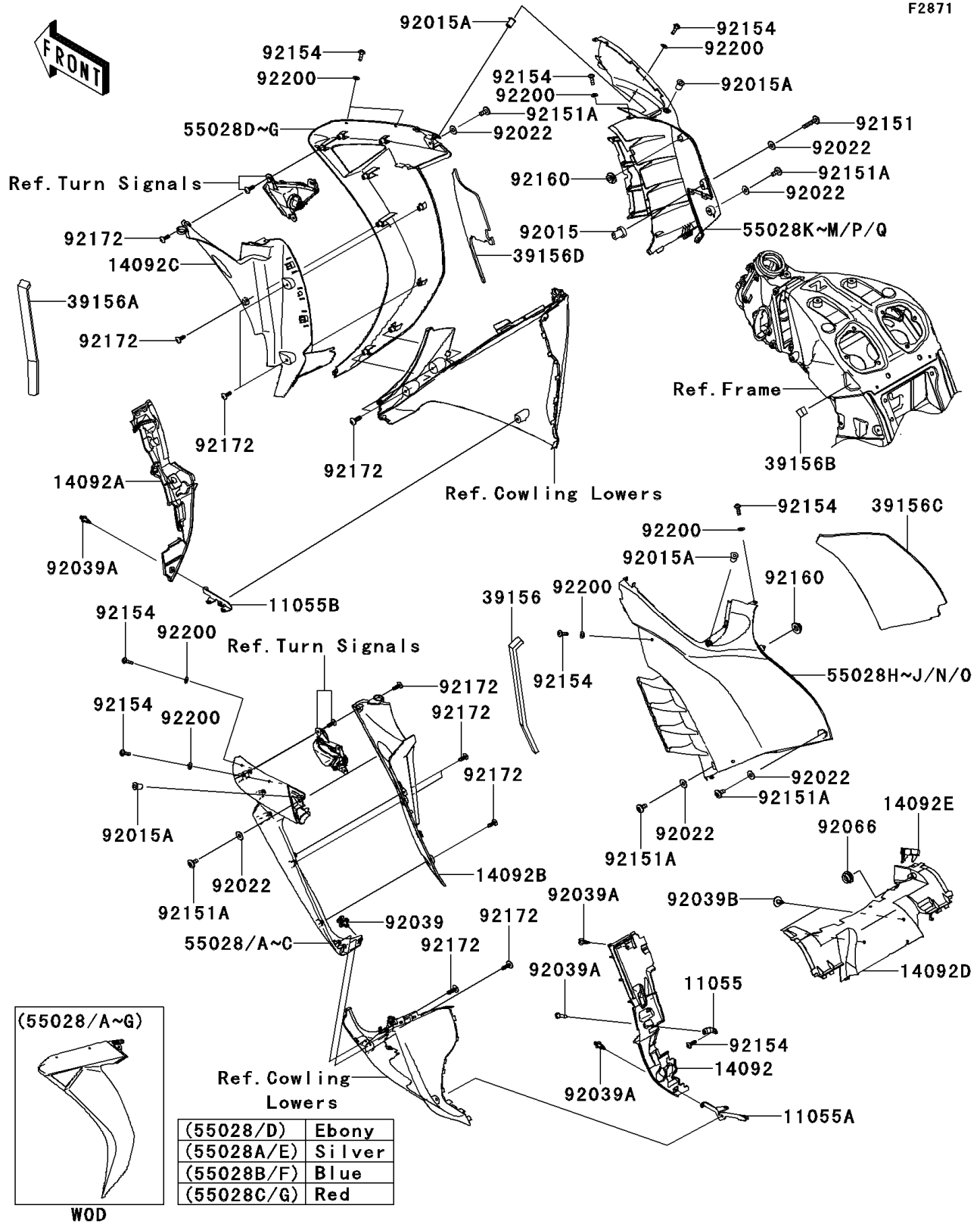


2012 CONCOURS® 14 ABS

PARTS DIAGRAM

Cowling(Center)(CAF-CCF)

F2871



2012 CONCOURS® 14 ABS

PARTS LIST

Cowling(Center)(CAF-CCF)

| ITEM NAME | PART NUMBER | QUANTITY |
|--|----------------|----------|
| BRACKET,RESERVOIR (Ref # 11055) | 11055-1837 | 1 |
| BRACKET,LWR COWLING,LH (Ref # 11055A) | 11055-1838 | 1 |
| BRACKET,LWR COWLING,RH (Ref # 11055B) | 11055-1839 | 1 |
| COVER,HEAT GUARD,LH (Ref # 14092) | 14092-0098 | 1 |
| COVER,HEAT GUARD,RH (Ref # 14092A) | 14092-0099 | 1 |
| COVER,SHROUD,LH (Ref # 14092B) | 14092-0102 | 1 |
| COVER,SHROUD,RH (Ref # 14092C) | 14092-0103 | 1 |
| COVER,HEAT GUARD,FR (Ref # 14092D) | 14092-0135 | 1 |
| COVER,RADIATOR CAP (Ref # 14092E) | 14092-0136 | 1 |
| PAD,SHROUD,LH (Ref # 39156) | 39156-0591 | 1 |
| PAD,SHROUD,RH (Ref # 39156A) | 39156-0593 | 1 |
| PAD,20X20X14 (Ref # 39156B) | 39156-0594 | 1 |
| PAD,CNT COWLING,LH (Ref # 39156C) | 39156-0595 | 1 |
| PAD,CNT COWLING,RH (Ref # 39156D) | 39156-0596 | 1 |
| COWLING,SIDE,LH,EBONY (Ref # 55028) | 55028-0320-H8 | 1 |
| COWLING,SIDE,LH,C.A.RED (Ref # 55028C) | 55028-0320-33M | 1 |
| COWLING,SIDE,RH,EBONY (Ref # 55028D) | 55028-0321-H8 | 1 |
| COWLING,SIDE,RH,C.A.RED (Ref # 55028G) | 55028-0321-33M | 1 |
| COWLING,CNT,LH,EBONY (Ref # 55028N) | 55028-0388-H8 | 1 |
| COWLING,CNT,LH,C.A.RED (Ref # 55028O) | 55028-0388-33M | 1 |
| COWLING,CNT,RH,EBONY (Ref # 55028P) | 55028-0389-H8 | 1 |
| COWLING,CNT,RH,C.A.RED (Ref # 55028Q) | 55028-0389-33M | 1 |
| NUT,RUBBER,6MM (Ref # 92015) | 92015-1692 | 1 |
| NUT,WELL,5MM (Ref # 92015A) | 92015-1757 | 4 |
| WASHER,6.5X16X1 (Ref # 92022) | 92022-1143 | 6 |
| RIVET,HOLE 8MM (Ref # 92039) | 92039-0014 | 1 |
| RIVET (Ref # 92039A) | 92039-0051 | 4 |
| RIVET (Ref # 92039B) | 92039-1289 | 2 |
| PLUG (Ref # 92066) | 92066-1306 | 2 |

2012 CONCOURS® 14 ABS

PARTS LIST

Cowling(Center)(CAF-CCF)

| ITEM NAME | PART NUMBER | QUANTITY |
|---|-------------|----------|
| BOLT,SOCKET,6X30 (Ref # 92151) | 92151-1605 | 1 |
| BOLT,SOCKET,6X14 (Ref # 92151A) | 92151-1654 | 5 |
| BOLT,SOCKET,5X16 (Ref # 92154) | 92154-0209 | 9 |
| DAMPER (Ref # 92160) | 92160-1613 | 2 |
| SCREW,TAPPING,5X16 (Ref # 92172) | 92172-0238 | 12 |
| WASHER,NYLON,5.3X11.5X0.5 (Ref # 92200) | 92200-0006 | 8 |