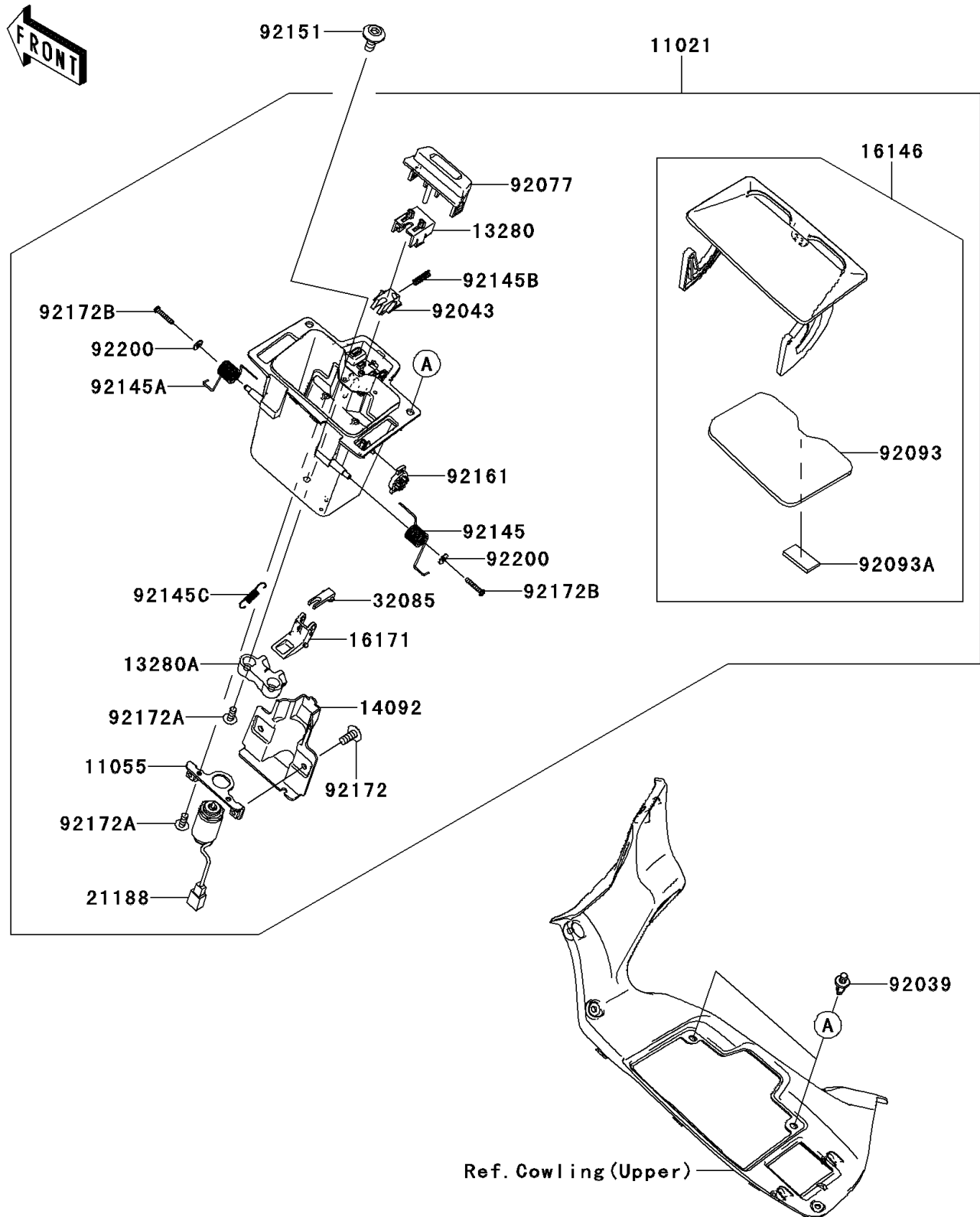


# 2012 CONCOURS® 14 ABS

## PARTS DIAGRAM

### Front Box

F2135



# 2012 CONCOURS® 14 ABS

## PARTS LIST

Front Box

**ITEM NAME**

**PART NUMBER**

**QUANTITY**

---