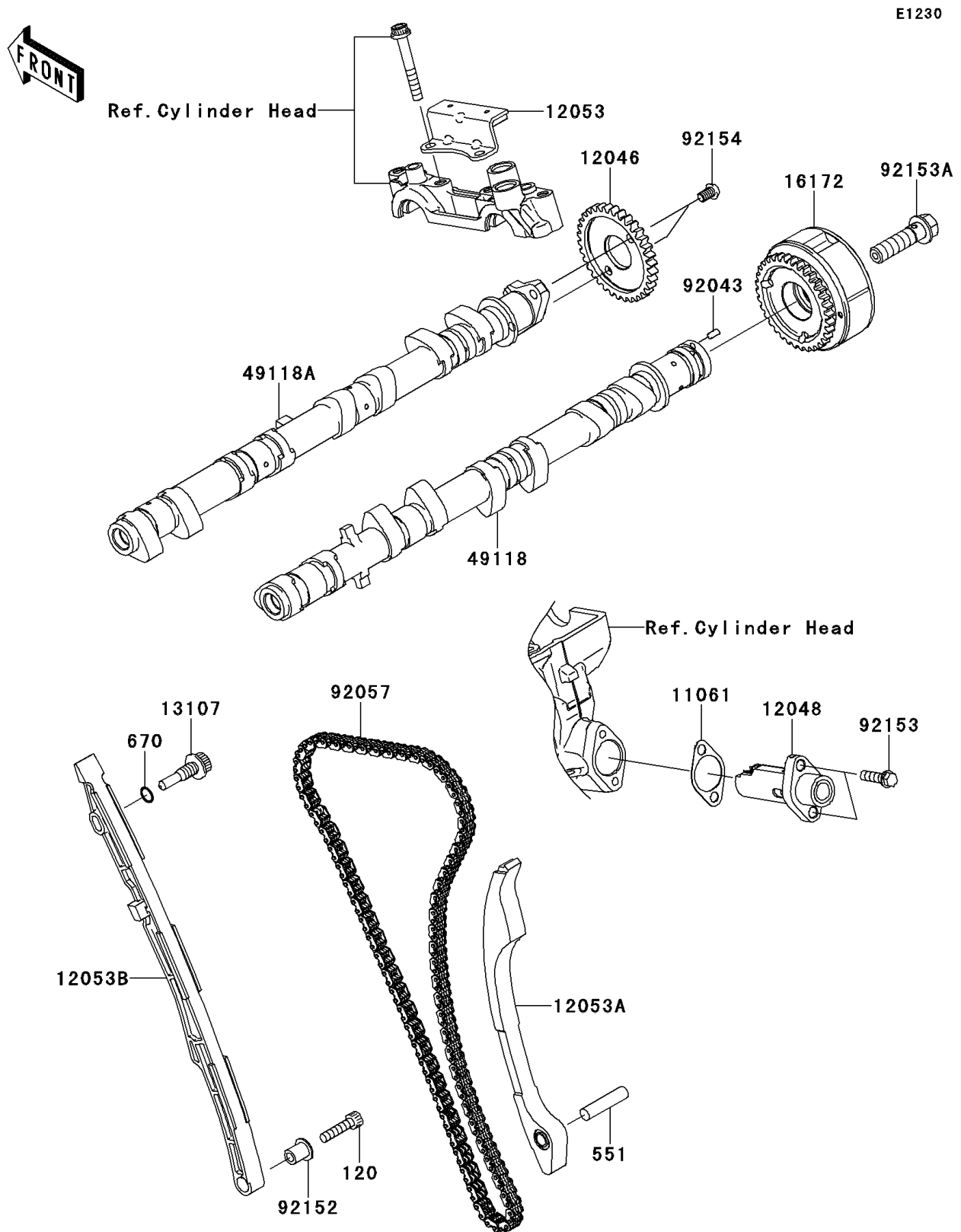


# 2012 CONCOURS® 14 ABS

## PARTS DIAGRAM

### Camshaft(s)/Tensioner



# 2012 CONCOURS® 14 ABS

## PARTS LIST

Camshaft(s)/Tensioner

**ITEM NAME**

**PART NUMBER**

**QUANTITY**

---