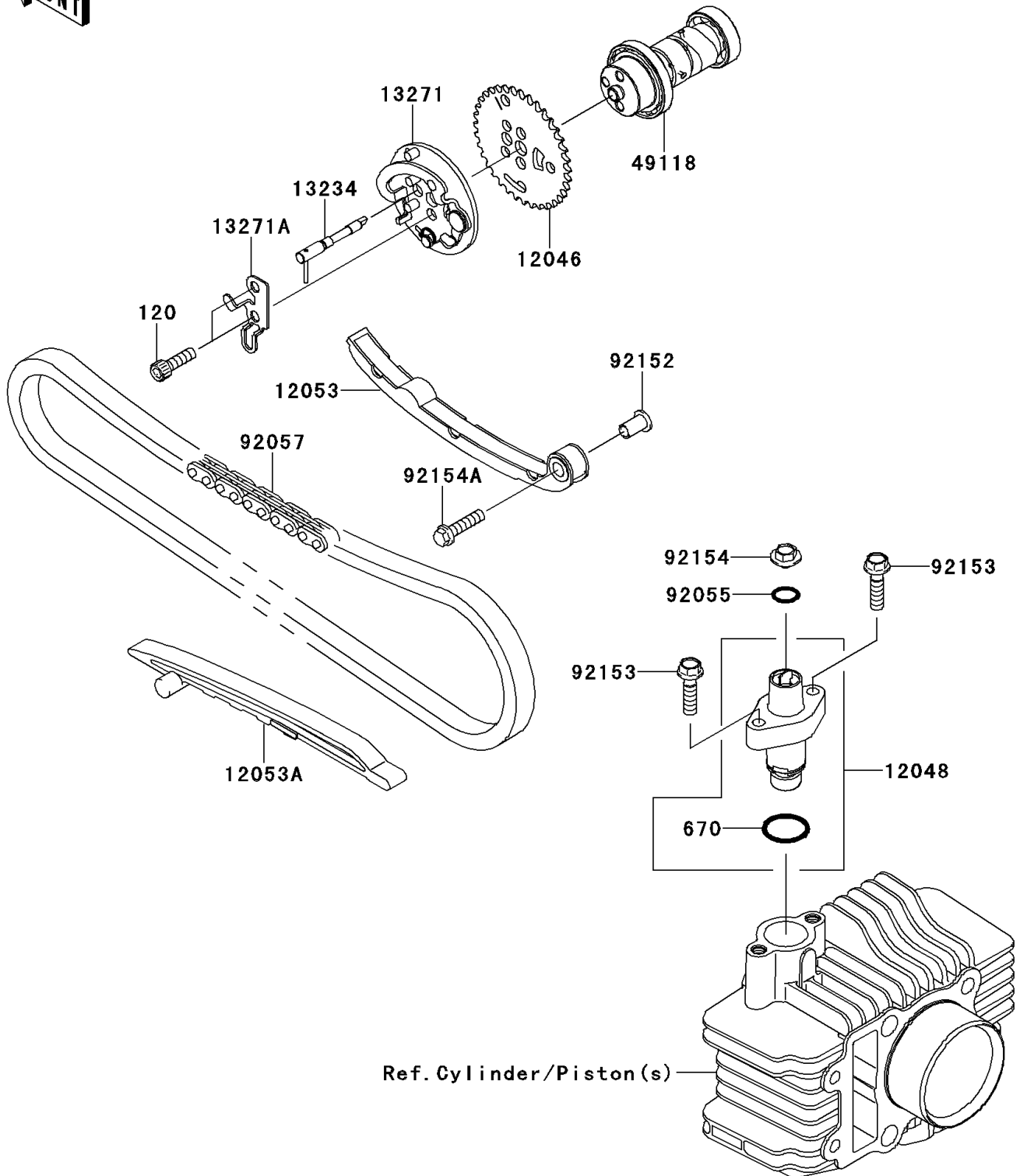


# 2010 KLX<sup>®</sup>110L

## PARTS DIAGRAM

### Camshaft(s)/Tensioner

E1230



# 2010 KLX<sup>®</sup>110L

## PARTS LIST

### Camshaft(s)/Tensioner

| ITEM NAME                        | PART NUMBER | QUANTITY |
|----------------------------------|-------------|----------|
| BOLT-SOCKET,6X20 (Ref # 120)     | 120CA0620   | 2        |
| O RING,21MM (Ref # 670)          | 670D2021    | 1        |
| SPROCKET (Ref # 12046)           | 12046-0059  | 1        |
| TENSIONER-ASSY (Ref # 12048)     | 12048-1164  | 1        |
| GUIDE-CHAIN,LOOSE (Ref # 12053)  | 12053-0006  | 1        |
| GUIDE-CHAIN (Ref # 12053A)       | 12053-1461  | 1        |
| SHAFT-COMP (Ref # 13234)         | 13234-0033  | 1        |
| PLATE (Ref # 13271)              | 13271-0948  | 1        |
| PLATE (Ref # 13271A)             | 13271-0950  | 1        |
| CAMSHAFT-COMP (Ref # 49118)      | 49118-0131  | 1        |
| RING-O,9.8X2.4 (Ref # 92055)     | 92055-0060  | 1        |
| CHAIN,CAM,94L (Ref # 92057)      | 92057-0127  | 1        |
| COLLAR,CHAIN GUIDE (Ref # 92152) | 92152-1369  | 1        |
| BOLT,6X25 (Ref # 92153)          | 92153-1185  | 2        |
| BOLT,FLANGED,6X6 (Ref # 92154)   | 92154-0536  | 1        |
| BOLT,FLANGED,6X25 (Ref # 92154A) | 92154-1156  | 1        |