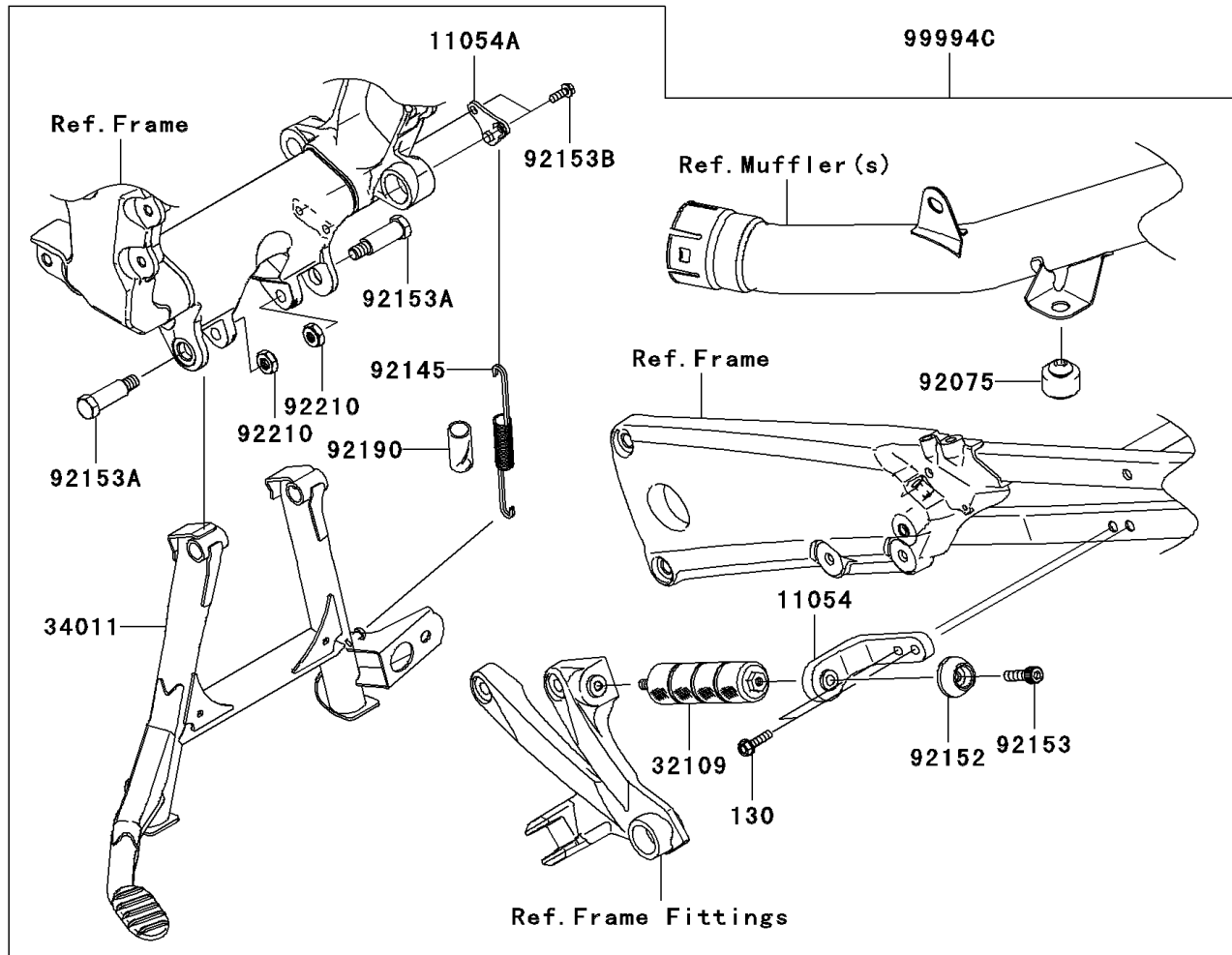
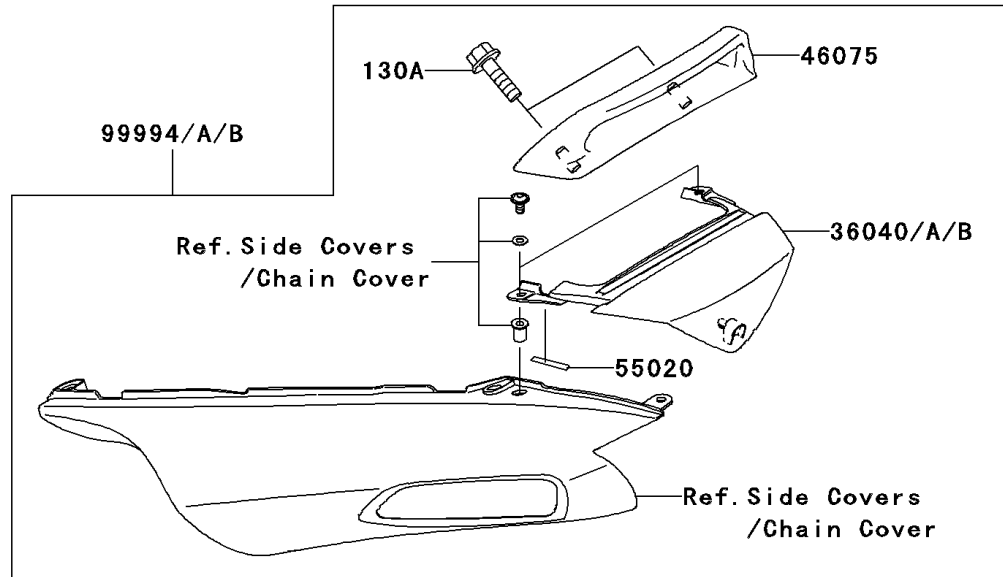


# 2011 NINJA® ZX™-14

## PARTS DIAGRAM

### Optional Parts

F2890



# 2011 NINJA® ZX™-14

## PARTS LIST Optional Parts

ITEM NAME	PART NUMBER	QUANTITY
-----------	-------------	----------

---