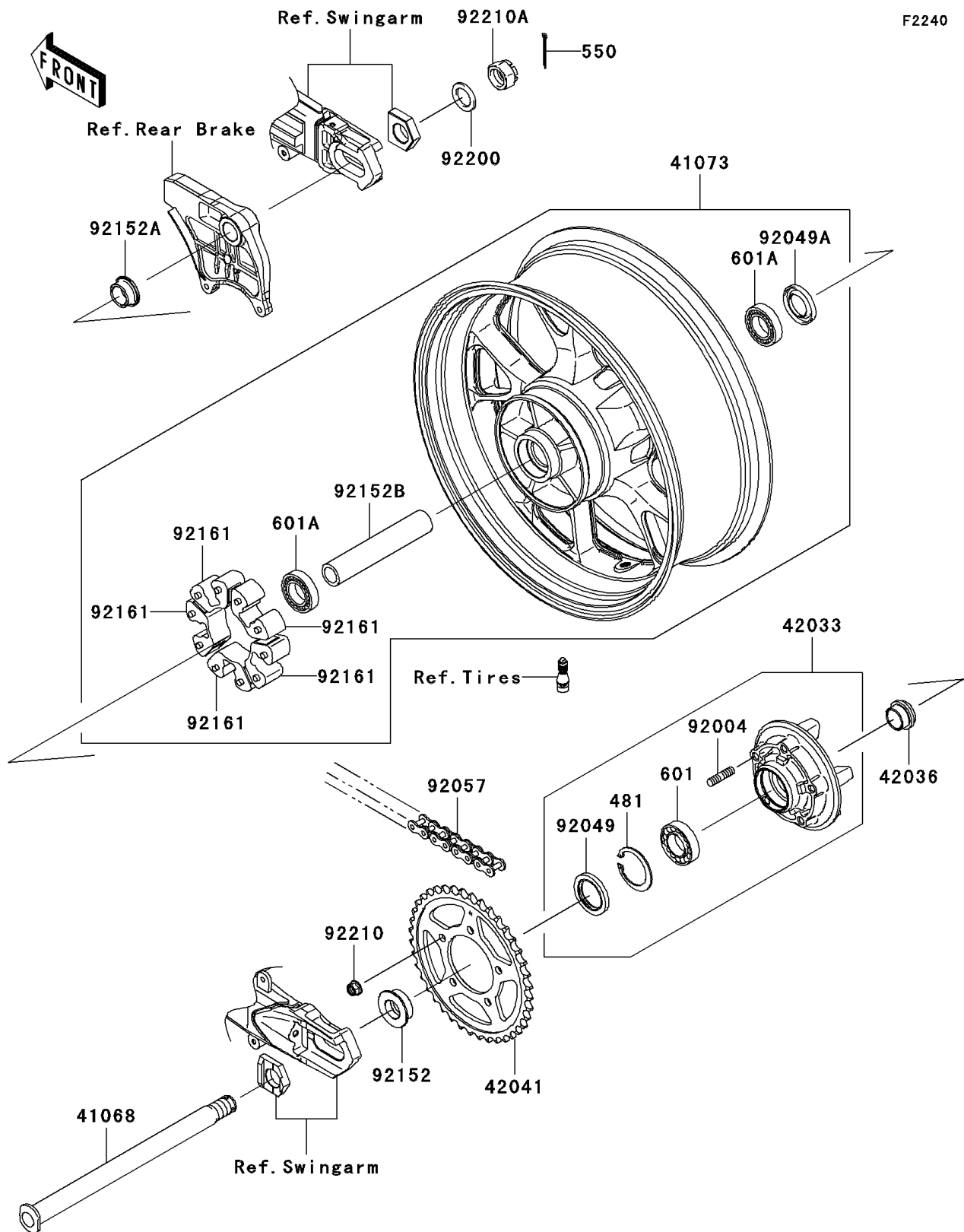


# 2011 NINJA® ZX™-14

## PARTS DIAGRAM

### Rear Wheel/Chain



# 2011 NINJA® ZX™-14

## PARTS LIST

### Rear Wheel/Chain

**ITEM NAME**

**PART NUMBER**

**QUANTITY**

---