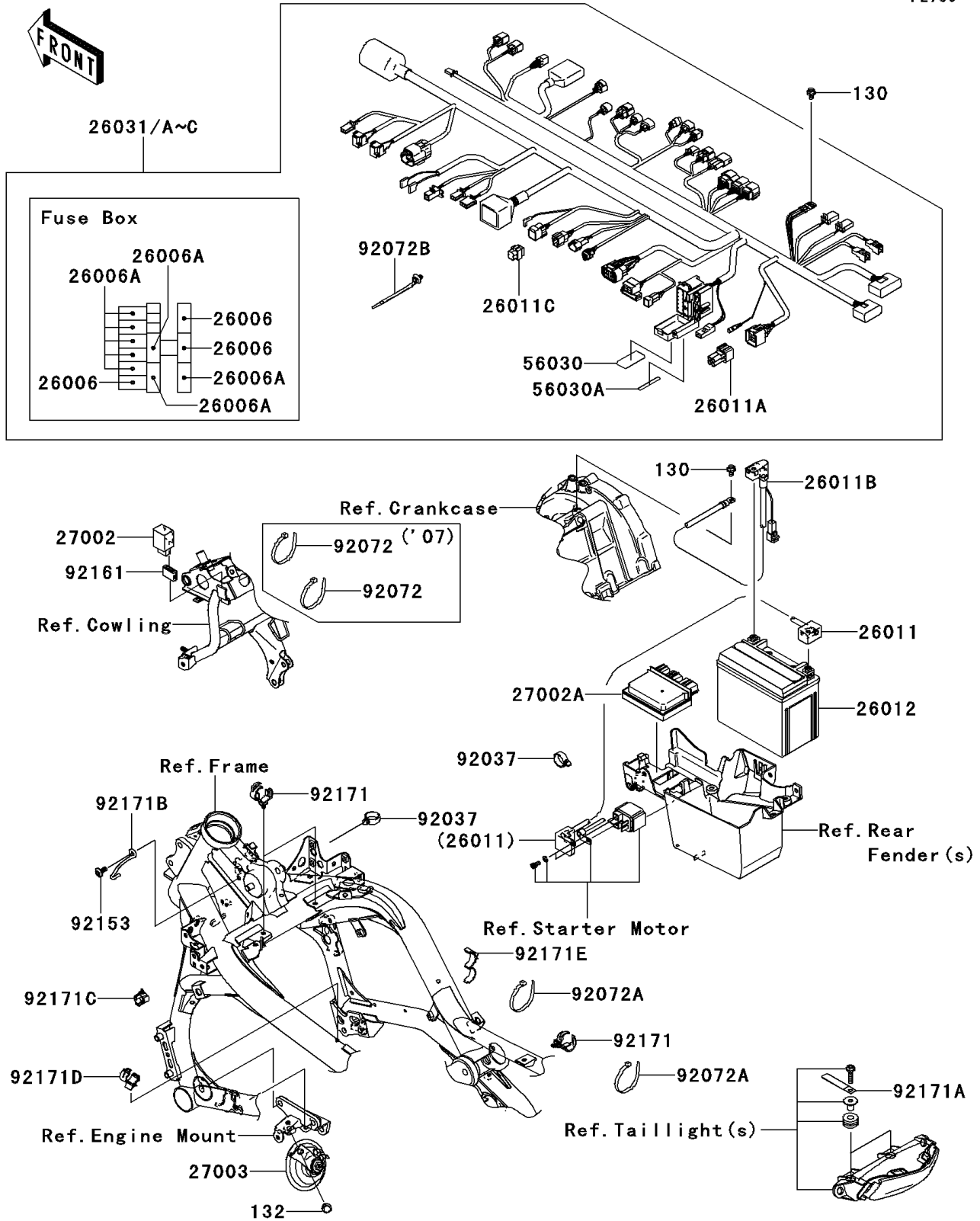


2009 Versys™

PARTS DIAGRAM

Chassis Electrical Equipment

F2760



2009 Versys™

PARTS LIST

Chassis Electrical Equipment

ITEM NAME

PART NUMBER

QUANTITY
