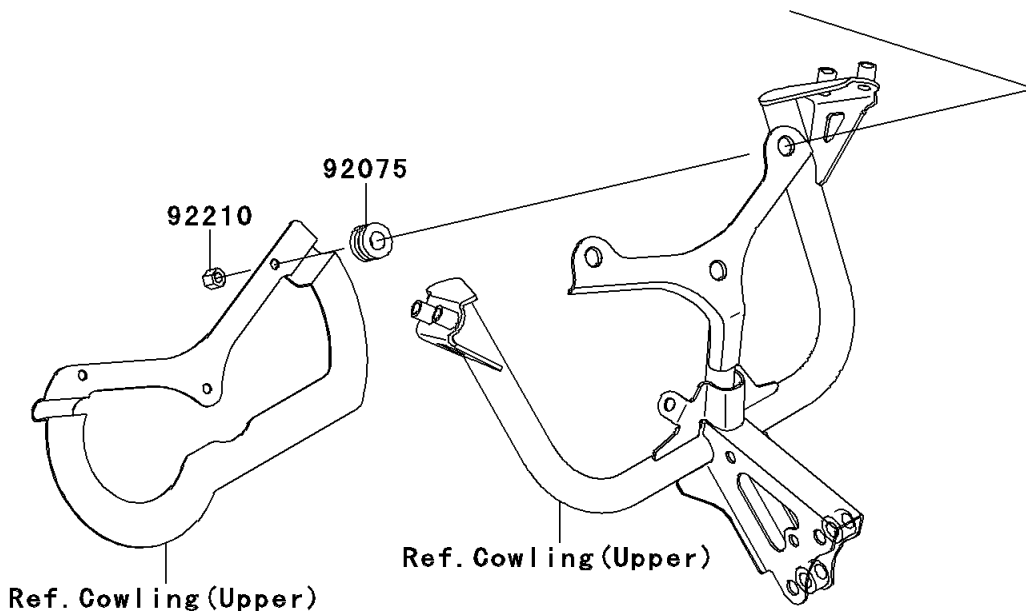
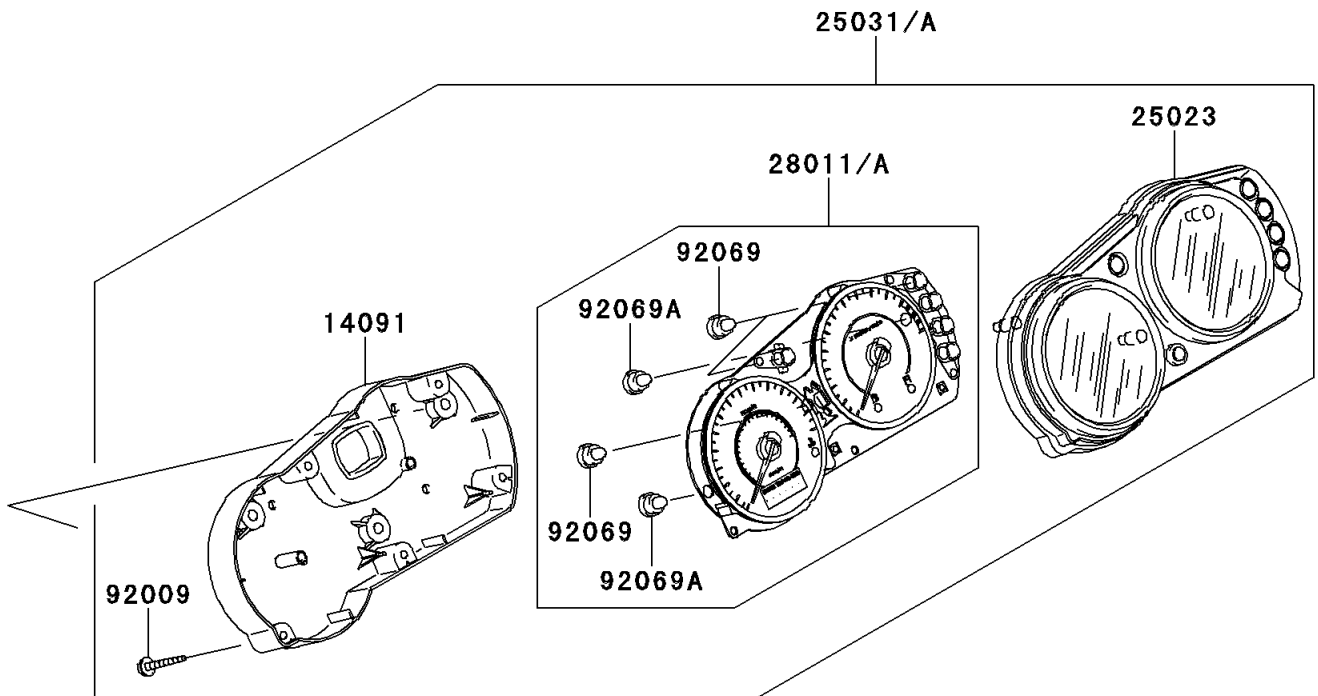


2006 Ninja® 650R

PARTS DIAGRAM

Meter(s)

F2530



2006 Ninja® 650R

PARTS LIST

Meter(s)

ITEM NAME	PART NUMBER	QUANTITY
COVER,METER HOUSING (Ref # 14091)	14091-0367	1
COVER-METER CASE,UPP (Ref # 25023)	25023-0009	1
SCREW,4X16,BLACK (Ref # 92009)	92009-1158	5
BULB,T3.4,12V1.1W (Ref # 92069)	92069-1110	6
BULB,T3,12V0.7W (Ref # 92069A)	92069-1113	2
DAMPER (Ref # 92075)	92075-1435	3
NUT,5MM (Ref # 92210)	92210-1124	3
METER-ASSY,MPH/KPH (Ref # 25031)	25031-0088	1
METER-ASSY,KPH (Ref # 25031A)	25031-0089	1
METER,SPEED&TACHO,KPH (Ref # 28011)	28011-0037	1
METER,SPEED&TACHO,MPH/KPH (Ref # 28011A)	28011-0038	1