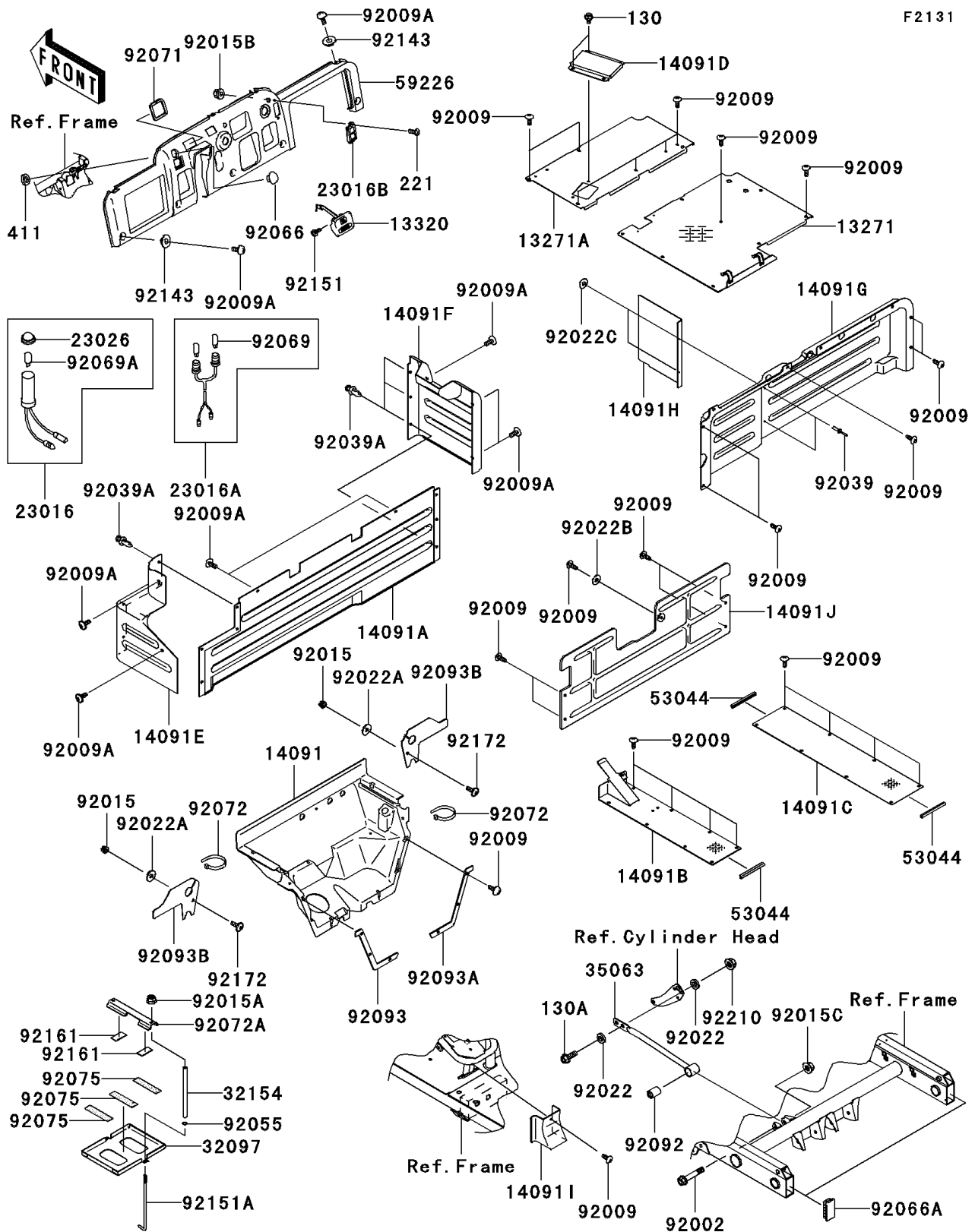


2007 Mule 3010 Trans4x4 Diesel

PARTS DIAGRAM

Frame Fittings



2007 Mule 3010 Trans4x4 Diesel

PARTS LIST

Frame Fittings

ITEM NAME	PART NUMBER	QUANTITY
PLATE,FLOOR,RH (Ref # 13271)	13271-7573	1
PLATE,FLOOR,RH (Ref # 13271A)	13271-7596	1
LEVER-ASSY (Ref # 13320)	13320-1016	1
COVER,FLOOR (Ref # 14091)	14091-1378	1
COVER,FRONT SEAT,CNT (Ref # 14091A)	14091-7531	1
COVER,FLOOR,CNT,FR (Ref # 14091B)	14091-7534	1
COVER,FLOOR,CNT,RR (Ref # 14091C)	14091-7535	1
COVER (Ref # 14091D)	14091-7536	1
COVER,FRONT SEAT,LH (Ref # 14091E)	14091-7541	1
COVER,FRONT SEAT,RH (Ref # 14091F)	14091-7542	1
COVER,FRONT SEAT,RR,LWR (Ref # 14091G)	14091-7549	1
COVER,FUEL TANK (Ref # 14091H)	14091-7550	1
COVER,PARKING CABLE (Ref # 14091I)	14091-7551	1
COVER,REAR SEAT,LWR (Ref # 14091J)	14091-7558	1
LAMP-ASSY,TEMP (Ref # 23016)	23016-1128	2
LAMP-ASSY,INDICATOR (Ref # 23016A)	23016-1188	1
LAMP-ASSY (Ref # 23016B)	23016-1189	1
LENS,TEMP LAMP (Ref # 23026)	23026-1157	2
CASE-BATTERY (Ref # 32097)	32097-1200	1
PIPE,10.22X12.7X206.5 (Ref # 32154)	32154-7502	2
STAY (Ref # 35063)	35063-1107	1
TRIM,L=111 (Ref # 53044)	53044-7502	3
PANEL-CONTROL,GRAY (Ref # 59226)	59226-7501-284	1
BOLT,ROD,12MM (Ref # 92002)	92002-1757	1
SCREW,TAPPING,6X16 (Ref # 92009)	92009-1166	50
SCREW,6X16 (Ref # 92009A)	92009-1621	17
NUT,FLANGED,6MM,BLACK (Ref # 92015)	92015-1233	2
NUT,FLANGED,8MM (Ref # 92015A)	92015-1406	2
NUT,LOCK,FLANGED,6MM (Ref # 92015B)	92015-1603	2

2007 Mule 3010 Trans4x4 Diesel

PARTS LIST

Frame Fittings

ITEM NAME	PART NUMBER	QUANTITY
NUT,12MM (Ref # 92015C)	92015-1706	1
WASHER,8.5X20X1.6,BLACK (Ref # 92022)	92022-1317	4
WASHER,6.5X20X1.6,BLACK (Ref # 92022A)	92022-1346	2
WASHER,7X18X1.2 (Ref # 92022B)	92022-1545	1
WASHER,4.3X12.5X1 (Ref # 92022C)	92022-1949	2
RIVET (Ref # 92039)	92039-1150	2
RIVET (Ref # 92039A)	92039-1229	7
RING-O (Ref # 92055)	92055-7501	2
PLUG (Ref # 92066)	92066-1485	1
PLUG (Ref # 92066A)	92066-7504	2
BULB,12V 3W,T7 (Ref # 92069)	92069-1020	2
BOLT-FLANGED,6X10 (Ref # 130)	130J0610	2
BOLT-FLANGED,8X22 (Ref # 130A)	130J0822	2
SCREW-CSK-CROS,6X16 (Ref # 221)	221C0616	2
WASHER-PLAIN,10MM,BLACK (Ref # 411)	411F1000	1
BULB,12V 1.7W,T10 (Ref # 92069A)	92069-1059	2
GROMMET (Ref # 92071)	92071-7504	1
BAND,L=365 (Ref # 92072)	92072-1197	2
BAND,BATTERY (Ref # 92072A)	92072-1441	1
DAMPER (Ref # 92075)	92075-1829	3
BUSHING-RUBBER (Ref # 92092)	92092-005	1
SEAL,FRONT FENDER,LH (Ref # 92093)	92093-1293	1
SEAL,FRONT FENDER,RH (Ref # 92093A)	92093-1294	1
SEAL,LOWER COVER (Ref # 92093B)	92093-1295	2
COLLAR (Ref # 92143)	92143-1087	10
BOLT,FLANGED,5X12 (Ref # 92151)	92151-1305	2
BOLT (Ref # 92151A)	92151-1728	2
DAMPER (Ref # 92161)	92161-0032	2
SCREW,6X18 (Ref # 92172)	92172-0002	2

2007 Mule 3010 Trans4x4 Diesel

PARTS LIST

Frame Fittings

ITEM NAME	PART NUMBER	QUANTITY
NUT,FLANGED,LOCK,8MM (Ref # 92210)	92210-0005	2