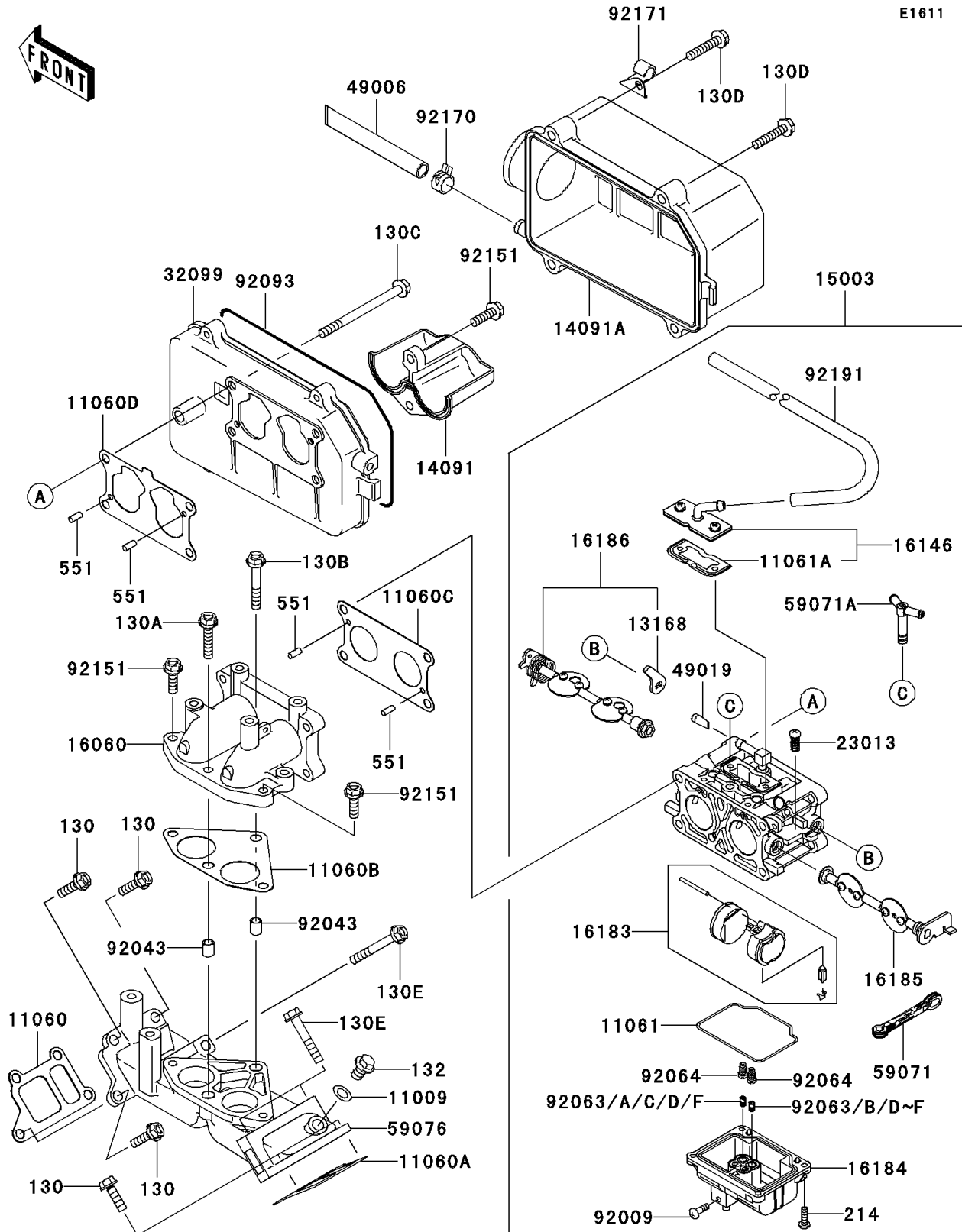


# 2008 Mule 3010 Trans4x4 Hardwoods Green HD

## PARTS DIAGRAM

### Carburetor



# 2008 Mule 3010 Trans4x4 Hardwoods Green HD

**Kawasaki**  
Let the Good Times Roll®

## PARTS LIST

### Carburetor

ITEM NAME	PART NUMBER	QUANTITY
GASKET (Ref # 11009)	11009-3028	1
GASKET,INTAKE MANIFOLD (Ref # 11060)	11060-2087	1
GASKET,INTAKE MANIFOLD (Ref # 11060A)	11060-2088	1
GASKET (Ref # 11060B)	11060-2477	1
GASKET (Ref # 11060C)	11060-2478	1
GASKET (Ref # 11060D)	11060-2479	1
GASKET,CHAMBER (Ref # 11061)	11061-2090	1
GASKET,COVER (Ref # 11061A)	11061-2091	1
LEVER (Ref # 13168)	13168-2473	1
COVER (Ref # 14091)	14091-2067	1
COVER (Ref # 14091A)	14091-2068	1
CARBURETOR-ASSY (Ref # 15003)	15003-2766	1
PIPE-INTAKE (Ref # 16060)	16060-2195	1
COVER-ASSY (Ref # 16146)	16146-2229	1
FLOAT-ASSY (Ref # 16183)	16183-2006	1
CHAMBER-ASSY-FLOAT (Ref # 16184)	16184-2006	1
VALVE-ASSY-THROTTLE (Ref # 16185)	16185-2038	1
VALVE-ASSY-CHOKE (Ref # 16186)	16186-2037	1
SCREW-ASSY (Ref # 23013)	23013-2061	1
CASE (Ref # 32099)	32099-2374	1
BOOT (Ref # 49006)	49006-2053	1
FILTER-FUEL (Ref # 49019)	49019-1093	1
JOINT (Ref # 59071)	59071-2138	1
JOINT (Ref # 59071A)	59071-2139	1
MANIFOLD-INTAKE (Ref # 59076)	59076-2069	1
SCREW,DRAIN (Ref # 92009)	92009-2015	1
PIN,DOWEL,8X10 (Ref # 92043)	92043-1302	2
JET-MAIN,#86.3 (Ref # 92063)	92063-2363	AR
JET-MAIN,#85 (Ref # 92063A)	92063-2376	AR

# 2008 Mule 3010 Trans4x4 Hardwoods Green HD



## PARTS LIST

### Carburetor

ITEM NAME	PART NUMBER	QUANTITY
JET-MAIN,#92.5 (Ref # 92063B)	92063-2402	1
JET-MAIN,#90 (Ref # 92063C)	92063-2403	1
JET-MAIN,#87.5 (Ref # 92063D)	92063-2405	AR
JET-MAIN,#91.3 (Ref # 92063E)	92063-2407	AR
JET-MAIN,#88.8 (Ref # 92063F)	92063-2413	AR
JET-PILOT (Ref # 92064)	92064-2132	2
BOLT-FLANGED,6X20 (Ref # 130)	130AA0620	5
BOLT-FLANGED,6X30 (Ref # 130A)	130BA0630	1
BOLT-FLANGED,6X40 (Ref # 130B)	130BA0640	1
BOLT-FLANGED,6X80 (Ref # 130C)	130BA0680	4
BOLT-FLANGED,6X30 (Ref # 130D)	130BB0630	4
BOLT-FLANGED,6X45 (Ref # 130E)	130B0645	3
BOLT-FLANGED-SMALL,8X12 (Ref # 132)	132BB0812	1
SCREW-PAN+-,4X14 (Ref # 214)	214AA0414	4
PIN-DOWEL (Ref # 551)	551A0410	4
SEAL (Ref # 92093)	92093-2115	1
BOLT,6X20 (Ref # 92151)	92151-2138	4
CLAMP (Ref # 92170)	92170-2082	1
CLAMP (Ref # 92171)	92171-2066	1
TUBE (Ref # 92191)	92191-2140	1