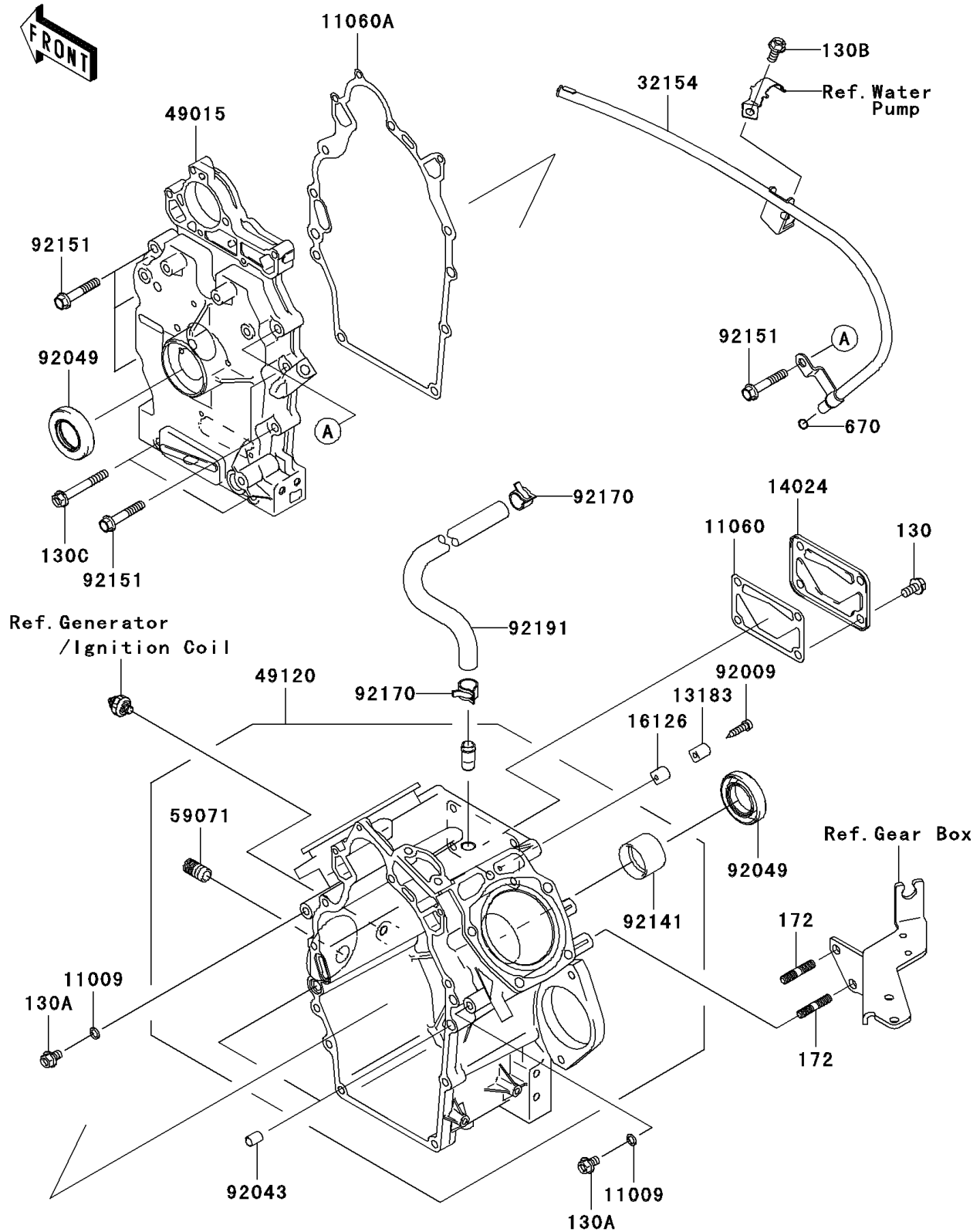


# 2008 Mule 3010 Trans4x4 Hardwoods Green HD

## PARTS DIAGRAM

### Crankcase

E1411



# 2008 Mule 3010 Trans4x4 Hardwoods Green HD



## PARTS LIST

### Crankcase

ITEM NAME	PART NUMBER	QUANTITY
-----------	-------------	----------

---